

## Technical Data Sheet

### Installation of the Sterling-HT Model 8532 Blower

*Kit Number 95-57320*

#### **95-57320 KIT COMPONENTS:**

- (1) Blower
- (1) Control Knob
- (1) Pal Nut
- (1) Rheostat
- (1) Instructions

#### **TOOLS REQUIRED:**

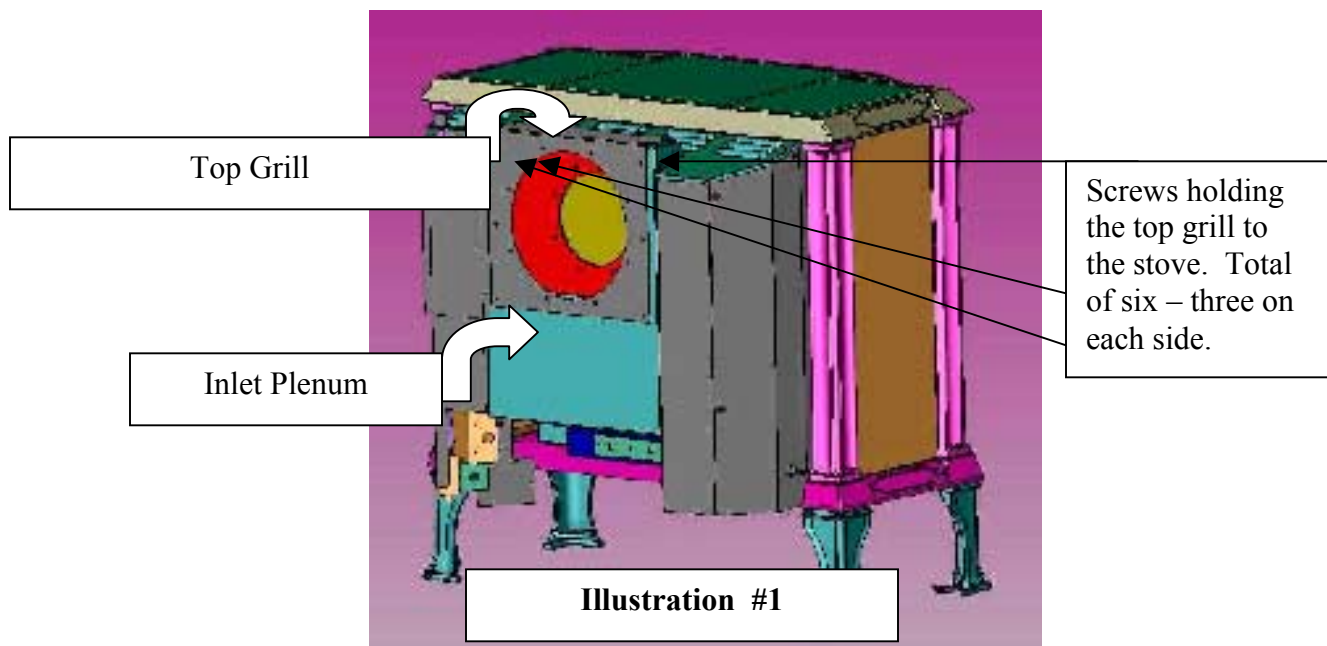
- Phillips Screwdriver
- Pliers

#### **ELECTRICAL GROUNDING INSTRUCTIONS:**

This blower is equipped with a three-pronged (grounding) plug for your protection against shock hazard and should only be plugged into a properly grounded three-prong receptacle. Do not cut or remove the grounding prong from the plug. Unplug the power cord for installation and servicing.

#### **PROCEDURE:**

1. Using a phillips screwdriver, remove the six screws that hold the top grill plate to the top of the stove (see illustration #1). There are four bolts holding this piece to the inlet plenum and one holding it to the left and right panel.



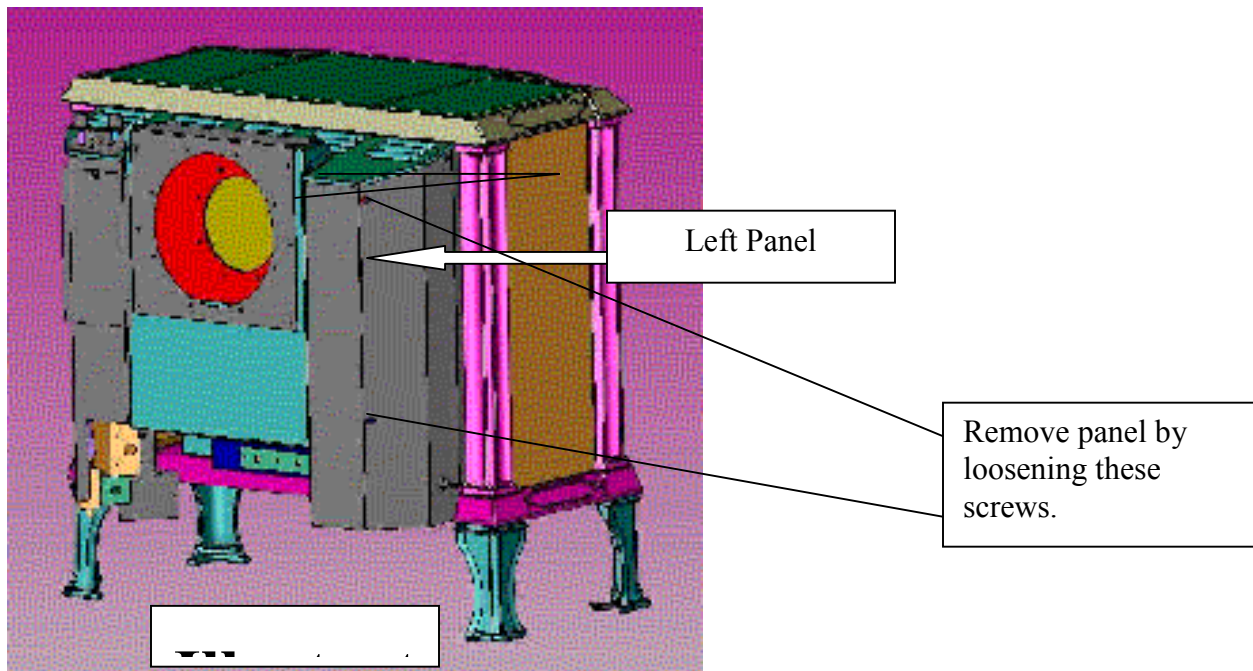
317 Stafford Ave. Morrisville, VT 05661

(802) 888-5232

[Http://www.hearthstonestoves.com](http://www.hearthstonestoves.com)

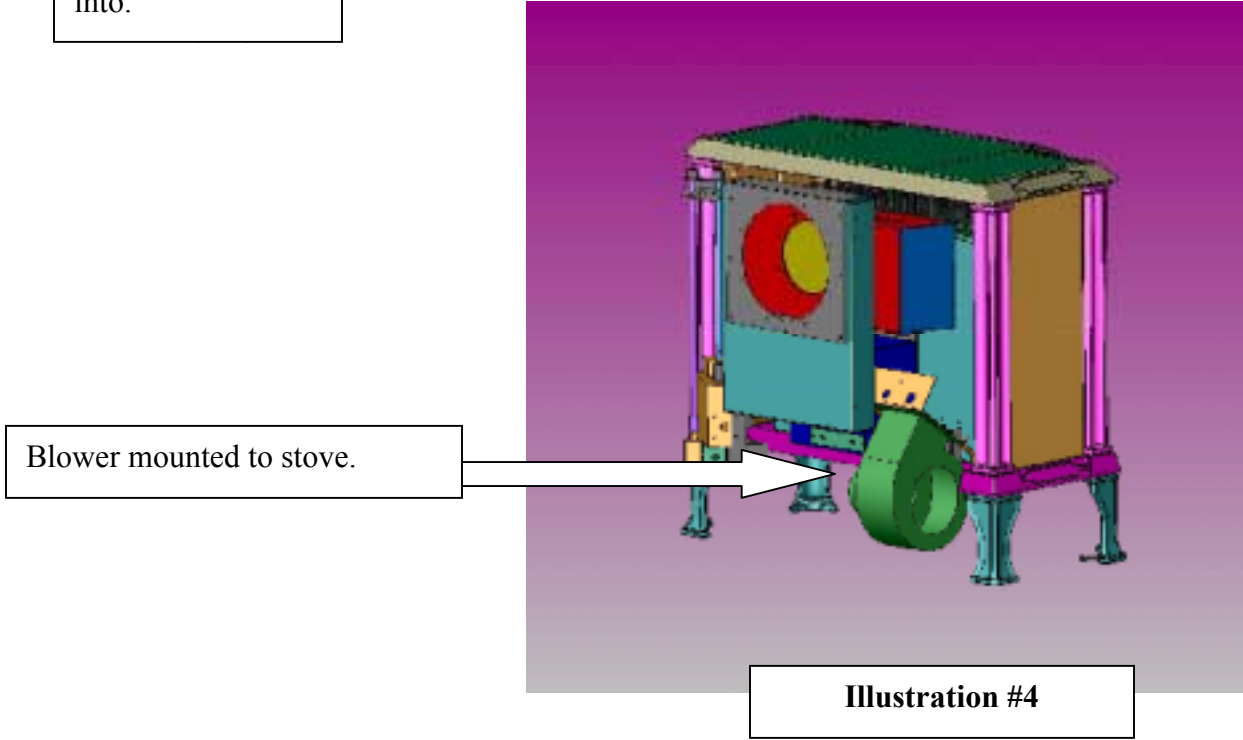
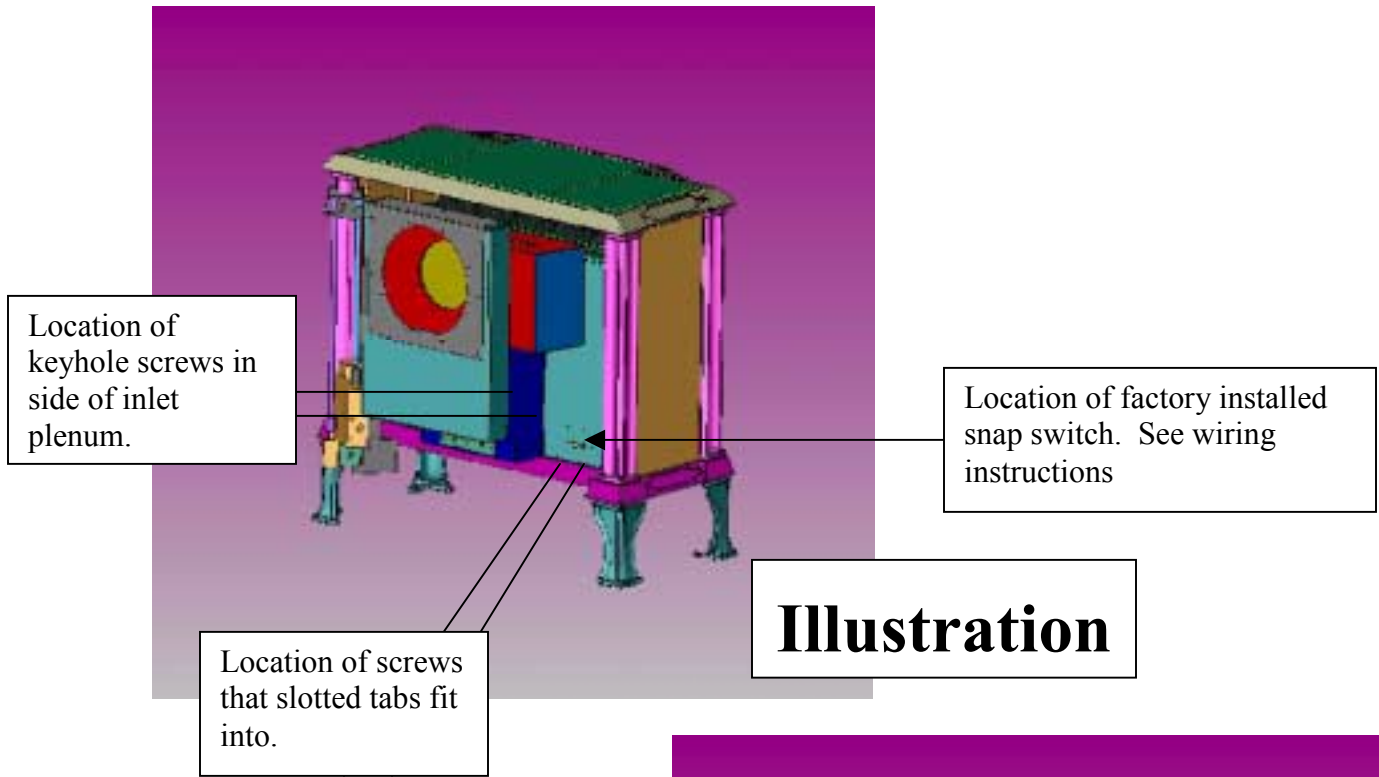
(802) 888-7249

2. Loosen the two screws that secure the left panel (see illustration #2) to the stove back with a phillips screwdriver. This will allow you to remove the left panel by lifting it up and through the keyholes.

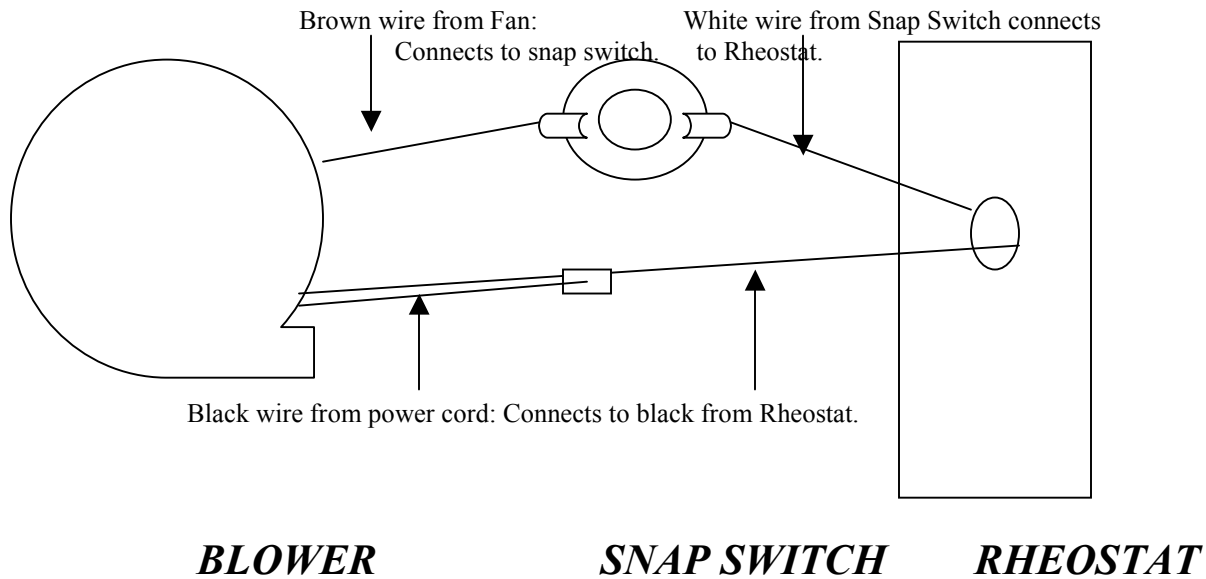


3. Install the rheostat (speed control) into the two pre-drilled holes in the removed panel by pushing the control stem through the larger hole and then inserting the holding tab into the smaller hole (the stem will be on the outside of the panel – the wire connections will be on the inside of the panel). Place the pal nut over the control stem from the outside of the panel and tighten it with the pliers. Place the control knob onto the control stem. Set the panel aside for now.
4. Mount the blower onto the stove as shown in illustration #4. The two slotted tabs fit onto the screws located in the back bottom of the stove while the keyholes on the side of the blower fit over the screws located on the side of the inlet plenum.

See Illustrations On Page 3 for Blower Installation



**Wire the blower as follows:**



**Photo #1**

Install the cover over the snap switch. Position as shown, rotate so slots are behind the screws, and secure by tightening the two screws with a

5. Reinstall the left side access panel and top grill plate. Secure by tightening all the screws with the phillips screwdriver.

**BLOWER OPERATION:** The blower will not run until the stove heats up and activates the snap switch. Turn the control knob clockwise to turn the blower on. The blower will be on high when the switch is turned on. To lower the blower speed, continue to turn the switch clockwise.