

Figure 25

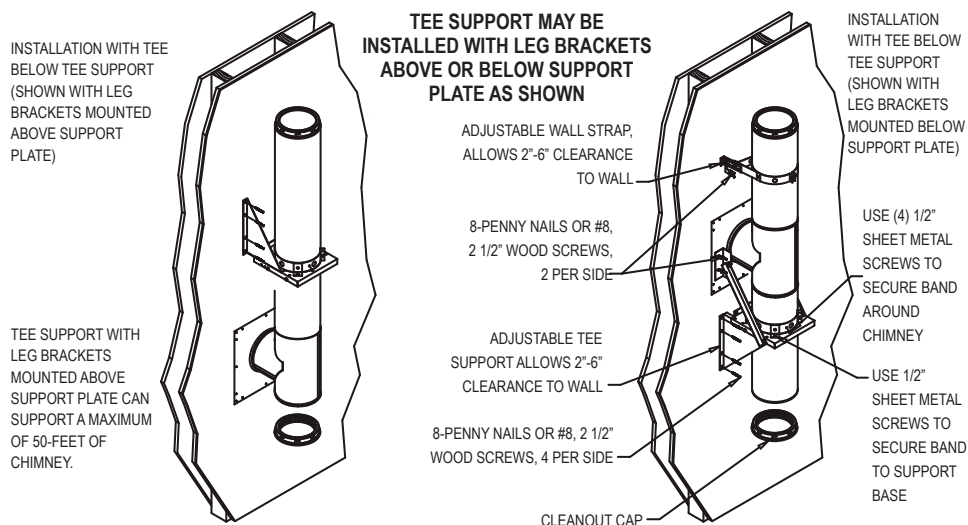


Figure 26

a continuous shield within the wall. If the two halves of the Wall Thimble do not overlap, a field-fabricated extension constructed out of 26-gauge galvanized or stainless steel is needed.

4. Install Tee Support: Install the Tee Support on the outside wall. Position Tee Support so that the chimney Tee will be centered inside the Wall Thimble (*Figs 24, 25, & 26*). The Tee Support may be installed either above the Tee or below the Tee (within one pipe section), as seen

in *Figure 26*. The Tee Support can support up to 50-feet of chimney by itself, or up to 70-feet of chimney if the Tee Support Straps are used (*Fig 24, 26*). Important: Verify that Tee Support is level, and secure the leg brackets of the Tee Support to the wall using (4) #8, 2-1/2" screws for each side. Slide support base over leg brackets to adjust for desired clearance to wall, and secure by tightening bolts. (*Figs 26 & 27*).

5. Install Tee and Cleanout Chimney