

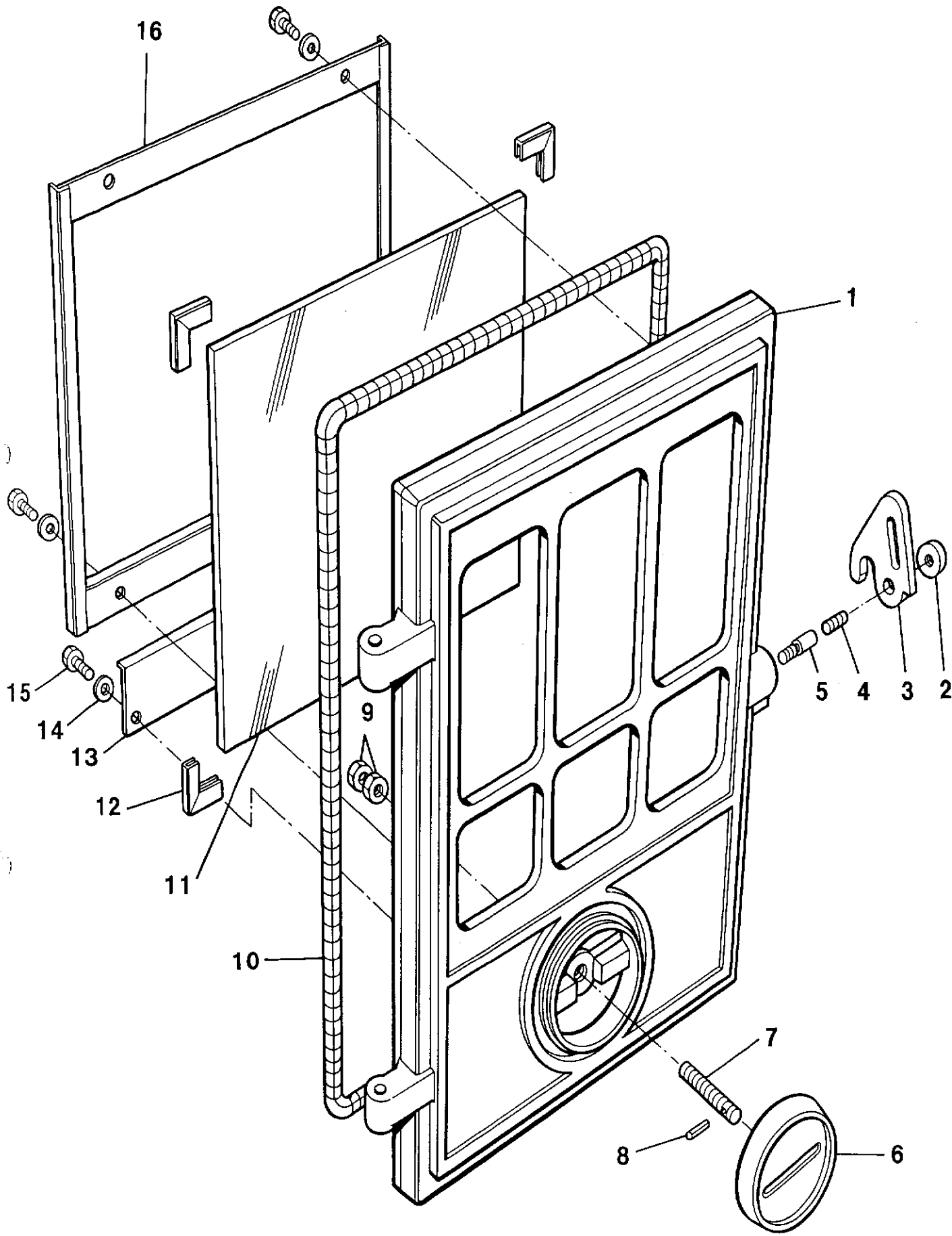
**COALBROOKDALE
LITTLE WENLOCK
MK3
(BOILER MODEL)**

(SOLID FUEL)

***SPARE PARTS
MANUAL***

COALBROOKDALE LITTLE WENLOCK MK3 (BOILER)
DOOR ASSEMBLY **JUNE 1998**

| ITEM No. | CAT No. | DESCRIPTION | PRODUCT CODE |
|----------|---------|---|--------------|
| 1 | C1634 | FIREDOOR | HS5M405040 |
| 2 | C1354 | DOOR CATCH CAP | HG4M410036 |
| 3 | C1526 | FIREDOOR CATCH | HS5V405016 |
| 4 | C1373 | DOOR CATCH PIN | HG4M410029 |
| 5 | C1372 | SHOULDER SCREW STUD | HG4M410037 |
| 6 | C1307 | SPIN VALVE | HS4M43455 |
| 7 | C1339 | ALLTHREAD STUD M8 x 38mm LONG | KSTD52100 |
| 8 | C1289 | ROLL PIN 1/8" DIA x 3/4" LONG | KCTR37873 |
| 9 | C1550 | LOCKNUTS (ON SPINNER) | KNUT52663 |
| 10 | C1644 | ROPE No. 3A THERMOSEAL 9mm DIA x 1208 LONG | JTHR405050 |
| 11 | C1636 | GLASS | HS4M405048 |
| 12 | C1637 | FIREDOOR GLASS LOCATION CHANNEL | HS4M405020 |
| 13 | C1393 | AIR DEFLECTOR PLATE | HS2M91490 |
| 14 | - | WASHER M5 PLAIN 12.5 x 1 | KWSR53307 |
| 15 | - | SCREW M5 x 8mm LONG HEX HEAD SET | KHEX50905 |
| 16 | C1635 | GLASS RETAINING FRAME | HS1M405043 |

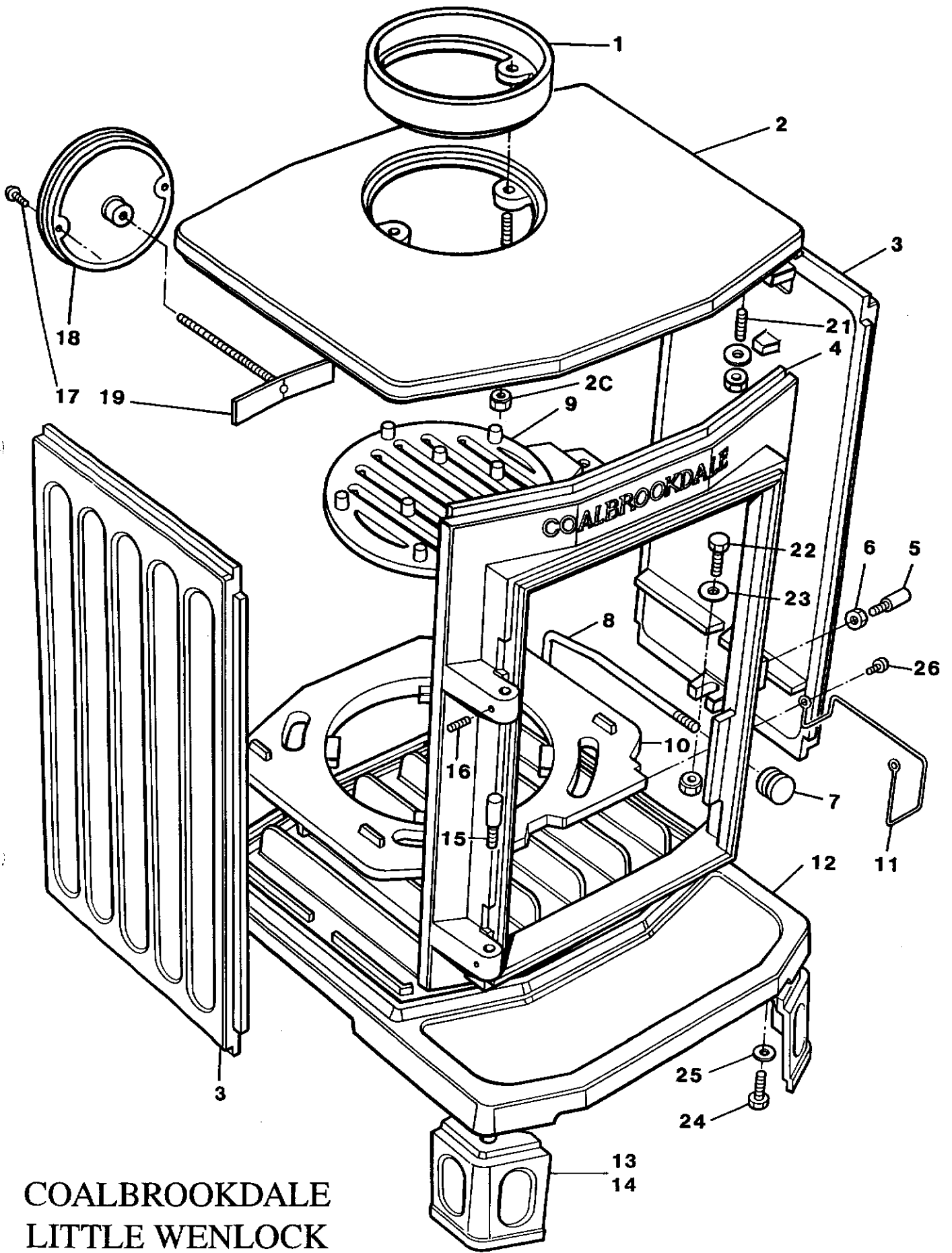


**COALBROOKDALE LITTLE WENLOCK MK3
(BOILER) - DOOR ASSEMBLY**

**COALBROOKDALE LITTLE WENLOCK MK3
MAIN BODY ASSEMBLY**

**(BOILER)
JUNE 1998**

| ITEM No. | CAT No. | DESCRIPTION | PRODUCT CODE |
|----------|---------|-------------------------------------|---------------|
| 1 | C1177 | 5" FLUE COLLAR | HS5M3-18421 |
| 2 | C1324 | TOP PLATE | HS5M405005 |
| 3 | C1309 | LH & RH SIDE PLATE | HS5M405000 |
| 4 | C1638 | FRONT PLATE (UK WITH RIDDLING HOLE) | HS5M405038 |
| 5 | C1417 | DOOR RETAINING PIN | HS4M405018 |
| 6 | C1550 | M8 HEX LOCK NUT | KNUT52663 |
| 7 | C1388 | RIDDLING KNOB | HS4M405029 |
| 8 | C1258 | RIDDLING ROD | HS9M41101COMP |
| 9 | C1083 | BOTTOMGRATE | HS5B3-18259 |
| 10 | C1172 | BOTTOMGRATE FRAME | HS5M1-18265 |
| 11 | C1049 | TOOL CRADLE | HS4M32041 |
| 12 | C1374 | BASE PLATE | HS5M405008 |
| 13 | C1164 | 3" LEG | HS5M-WB50024 |
| 14 | C1163 | 8" LEG (OPTIONAL EXTRA UK) | HS5M-WB50015 |
| 15 | C1639 | FIREDOOR HINGE PIN | HS4M37862 |
| 16 | - | SCREW M5 x 8mm LONG SOCKET GRUB | KCNE52306 |
| 17 | - | M5 x 20 PAN HD SCREW | KPAN52558 |
| 18 | C1178 | BLANK PLATE FOR 5" FLUE OUTLET | HS5M3-18422 |
| 19 | C1041 | T-BOLT | HS4M22796 |
| 20 | - | NUT M6 HEX FULL | KNUT52668 |
| 21 | C1295 | ALLTHREAD STUD M6 x 30mm LONG | KSTD52102 |
| 22 | C1379 | SCREW M6 x 35mm LONG HEX HEAD SET | KHEX50941 |
| 23 | R3983 | WASHER M6 PLAIN 20 x 1.6 | KWSR53393 |
| 24 | C1292 | SCREW M8 x 25mm LONG HEX SET | KHEX50909 |
| 25 | C1297 | WASHER M8 PLAIN | KWSR53666 |
| 26 | - | M5 x 10 P/PAN CHEM/BLK | KPAN500186 |



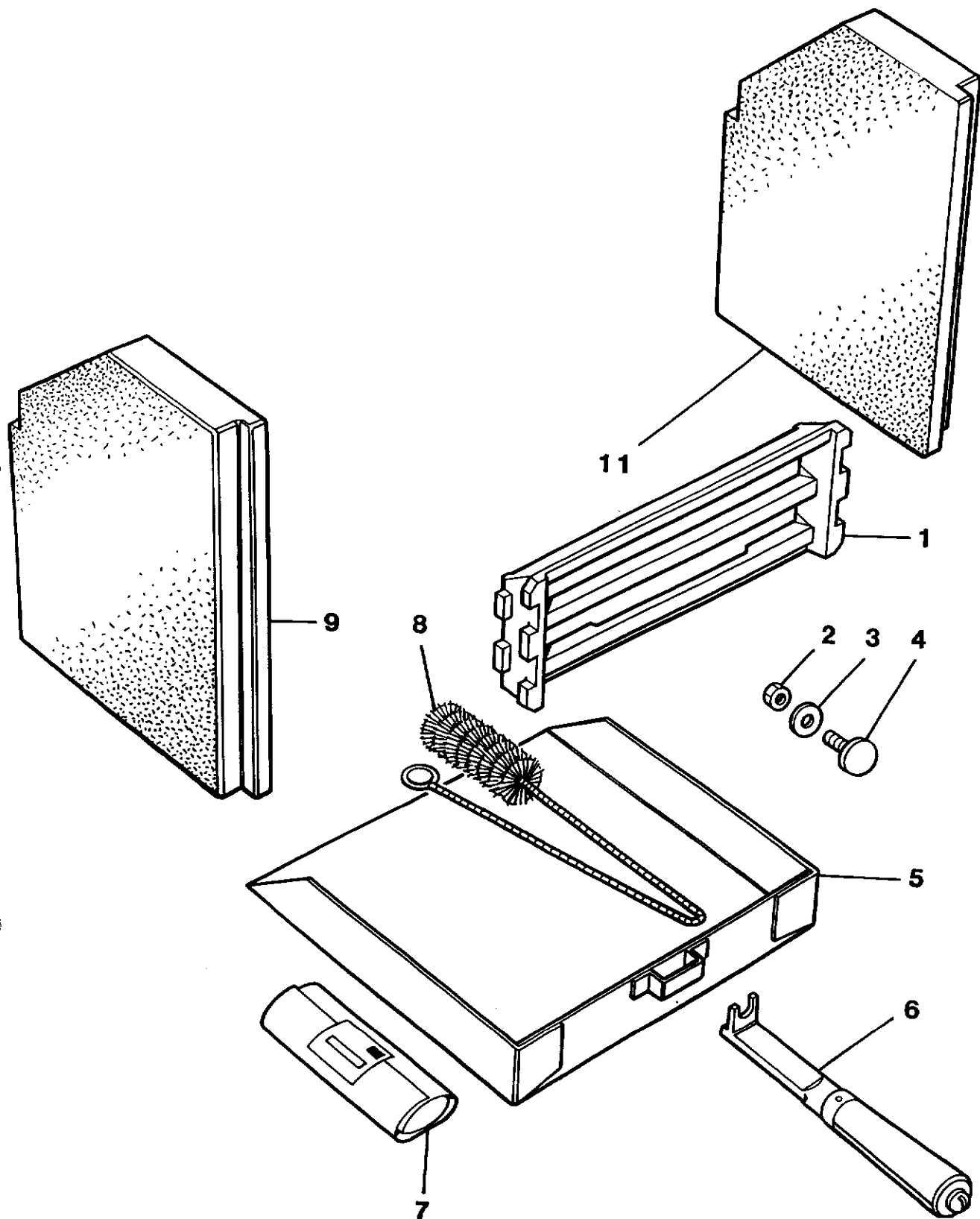
COALBROOKDALE
LITTLE WENLOCK
MK3
(BOILER)

MAIN BODY
ASSEMBLY

**COALBROOKDALE LITTLE WENLOCK MK3
ACCESSORIES**

**(BOILER)
JUNE 1998**

| ITEM No. | CAT No. | DESCRIPTION | PRODUCT CODE |
|----------|---------|---------------------------------------|----------------|
| 1 | C1640 | FRONT FIREBAR | HS5M405042 |
| 2 | C1642 | NUT M6 HEX | KNUT52668 |
| 3 | C1642 | WASHER M6 PLAIN | KWSR53393 |
| 4 | C1642 | SCREW M6 x 20mm LONG HEX SOCKET | KMIS52327 |
| | | (BUTTON HEAD (SUPPLIED LOOSE TO BLANK | |
| | | RIDDLING HOLE FOR WOOD BURNING) | |
| 5 | C1413 | ASHPAN | HS1M90290 |
| 6 | C1387 | OPERATING TOOL ASSEMBLY | HS1M405030 |
| 7 | C1298 | FIRE CEMENT | MTMC26029 |
| 8 | H1159 | FLUE BRUSH | HS4M23323 |
| 9 | C1027 | LH BRICK | HS4FLW500LH-BM |
| 10 | C1029 | RH BRICK | HS4FLW500RH-BM |
| 11 | C1320 | THROAT RESTRICTOR PLATE | HS5M410039 |

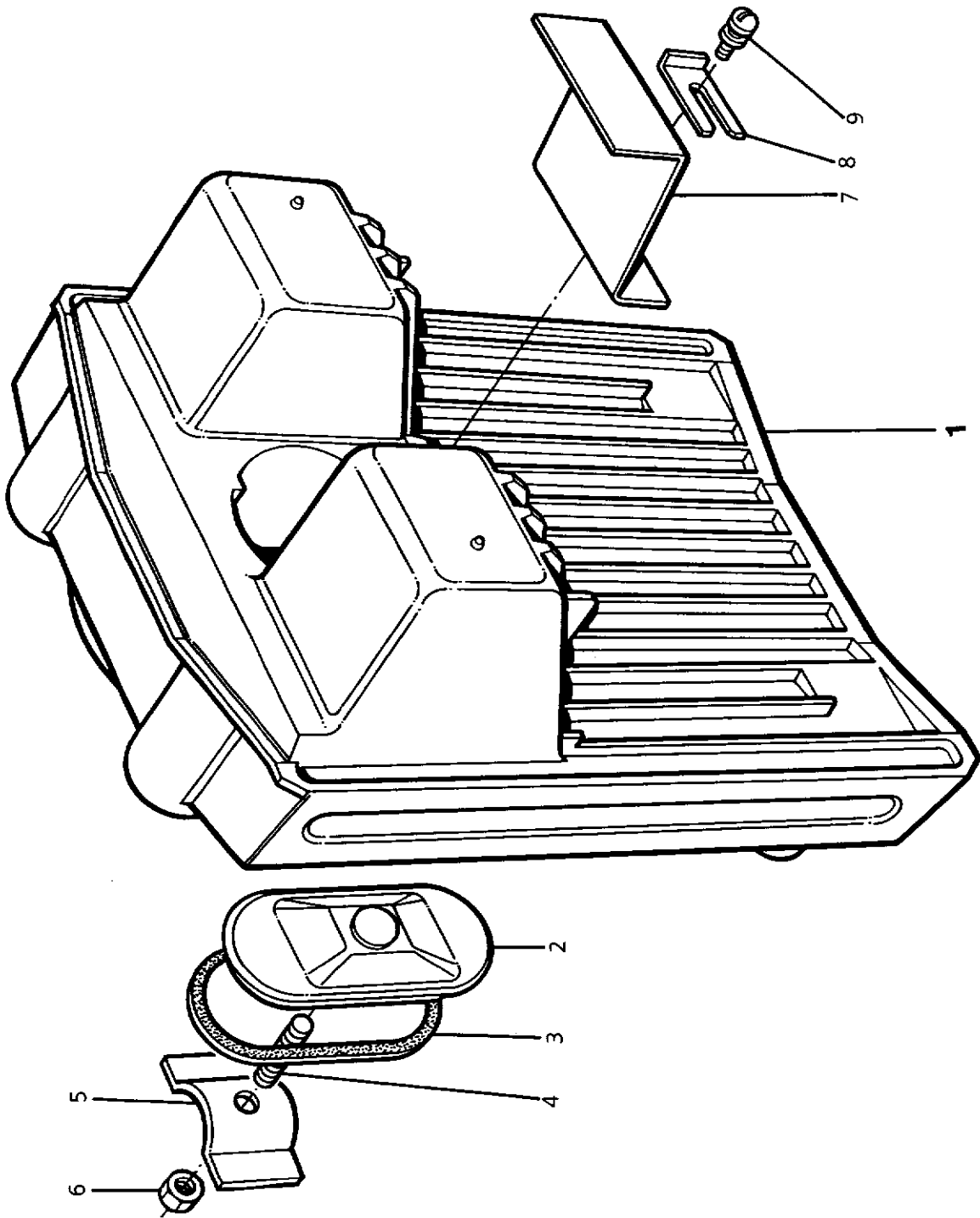


**COALBROOKDALE LITTLE WENLOCK MK3
(BOILER MODEL) ACCESSORIES**

**COALBROOKDALE LITTLE WENLOCK MK3
BOILER ASSEMBLY**

**(BOILER)
JUNE 1998**

| ITEM No. | CAT No. | DESCRIPTION | PRODUCT CODE |
|----------|---------|-----------------------------------|--------------|
| 1 | C1380 | BACK BOILER ASSEMBLY- (VE) | HS1E-WB50025 |
| | - | BOILER BODY | HS5E-WB50025 |
| 2 | R1774 | MUDLID | RS5EMC2 |
| 3 | R1720 | MUDLID GASKET | RS4M30410 |
| 4 | - | ALLTHREAD M12 x 40 | KSTD50631 |
| 5 | A2318 | MUDLID STRAP | AS4M34780 |
| 6 | - | NUT M12 | KNUT53135 |
| 7 | C1040 | BAFFLE PLATE | HS2M405033 |
| 8 | C1240 | FLUE BAFFLE RETAINING CLIP | HS2M405032 |
| 9 | C1240 | FLUE BAFFLE STUD | HS4M44560 |



COALBROOKDALE LITTLE WENLOCK MK3
(BOILER MODEL) BOILER ASSEMBLY

**For further advice or information contact
your local distributor/stockist**

With Aga-Rayburn's policy of continuous product improvement, the Company reserves the right to change specifications and make modifications to the appliances described and illustrated at any time.

COALBROOKDALE

Manufactured By
Aga-Rayburn
PO Box 30
Ketley Telford
Shropshire TF1 4DD

Glynwed

A Glynwed International business