

For further information on using your heater safely, obtain a copy of the National Fire Protection Association publication "Using Coal and Wood Stoves Safely" NFPA No. HS-8-1974. The address of the NFPA is 470 Atlantic Avenue, Boston, Massachusetts 02210.

There are a number of excellent resources on wood heating you might like to purchase, including "The Woodburning Encyclopedia" and "Wood Heat Safety" by Jay W. Shelton.

If you have any questions regarding your FISHER FIREPLACE INSERT which were not answered in this manual, please feel free to contact your authorized FISHER DEALER.

Keep this manual in a safe place with your important records.

## **GOOD HEATING**



*An idea America is warming up to. ©*

NOTES



## IV. MAINTENANCE

### FIREPLACE / CHIMNEY SYSTEM

---

Because of the many variables that exist in the formation of creosote, it is recommended that the fireplace/chimney system be inspected twice monthly. If during the inspections, deposits of creosote exist, consult a professional cleaning service.

If self maintenance is desired, consult professional chimney cleaning personnel or government agencies (Fire Department) for details on cleaning methods.

When cleaning and checking condition of the chimney system, pay particular attention to the following:

- Fire Box (Masonry)
- Smoke Shelf
- Interior Chimney
- Exterior Chimney
- Rain Cap/Spark Arrestor

**Note:**

- Depending on the installation, the Fisher Fireplace Insert may have to be removed when cleaning the chimney system.
- Protect the carpet, floor covering and furniture when cleaning the Fisher Fireplace Insert and masonry chimney.

### FISHER FIREPLACE INSERT

---

If nickle or brass options are selected, periodic conventional cleaning techniques can be used to maintain their brilliance.

Factory heat-resistant paint is available through the local Fisher Dealer when refinishing is desired. Refinishing or touch up is to be done when the heater is not in use.

---

## HOW TO BUILD A FIRE

1. Using paper and small pieces of dry kindling, start the fire on the bottom and near the front of the firebox.
2. Open the draft controls fully and close the doors.
3. Once the fire has started, slowly add larger pieces of wood until a bed of coals has been established. Use care in loading fuel.
4. Once the fire is well established, the burning rate may be controlled by either closing or opening the draft controls. Opening the draft controls will cause the fire to burn more rapidly. Closing the draft controls will cause the fire to burn more slowly.
5. The Fisher Fireplace Insert gives the best performance when a bed of coals is maintained. Always leave 1" of ash on the firebox bottom.
6. When operating with doors open, screen must be attached.
7. **CAUTION: IF ANY PART OF THE HEATER STARTS TO GLOW, THE INSERT IS IN AN OVERFIRED CONDITION. STOP ADDING FUEL IMMEDIATELY AND CLOSE THE DOORS AND DRAFT CONTROLS COMPLETELY UNTIL THE GLOWING IS ELIMINATED.**

---

## PAINT ODOR DURING START-UP

When first using your Fisher Fireplace Insert, the high temperature paint that is used will smoke and give off an odor for several hours.

Although this is a temporary condition, windows and/or doors should be opened enough to give adequate ventilation.

---

## USING COAL AS A FUEL

The same safety/operating instructions described in this manual for wood . . . apply to coal as well.

(grate or coal basket) must maintain a clearance of 2" from the firebox bottom.

The following, however, are specific instructions for using coal as a fuel:

1. Unlike wood, coal must be burned in an elevated position. The means to elevate the fire
2. Ash cleanout should be frequent enough to maintain the previously described 2" clearance.
3. Do not overfill the heater.

---

## CREOSOTE

### FORMATION AND NEED FOR REMOVAL

When wood is burned slowly, it produces tar and other organic vapors, which combine with expelled moisture to form creosote. The creosote vapors condense in the relatively cool chimney flue of a slow-burning fire. As a result, creosote residue accumulates on the flue lining. When ignited this creosote makes an extremely hot fire.

If creosote has accumulated it should be removed to reduce the risk of a chimney fire.

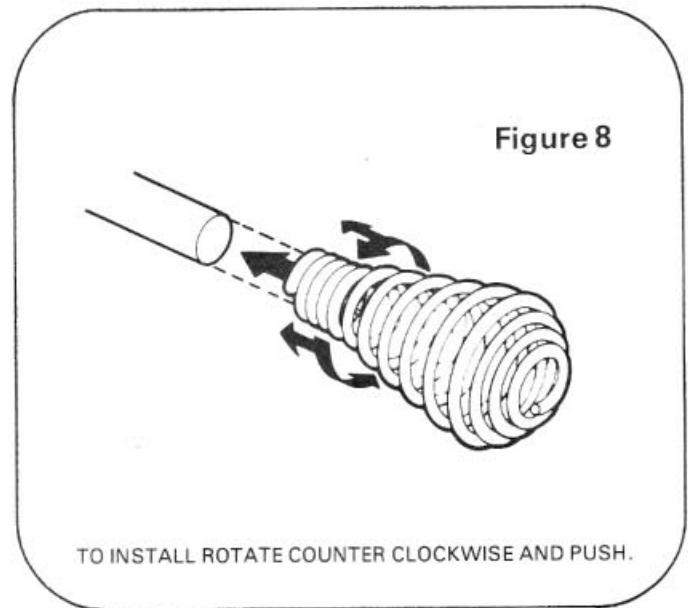
### PREVENTIVE MEASURES

1. Avoid burning wet or green wood.
2. It is recommended that the fire be burned for 5-10 minutes daily, with the doors open and screen attached.
3. Inspect chimney at least twice monthly during the heating season to determine if creosote build-up has occurred.
4. Remove creosote if it has accumulated to avoid the risk of a chimney fire.

## SPRING HANDLE

### ASSEMBLY

The small end of the handle is designed to act like a spring-loaded corkscrew. Note that the inside diameter of the spring handle is slightly smaller than the handle rod. To install the spring handle onto the rod, rotate the handle in a counter clockwise direction until the spring opens up, then push onto the handle rod. It will remain tightly affixed when installed in this manner.



## III. OPERATING INSTRUCTIONS

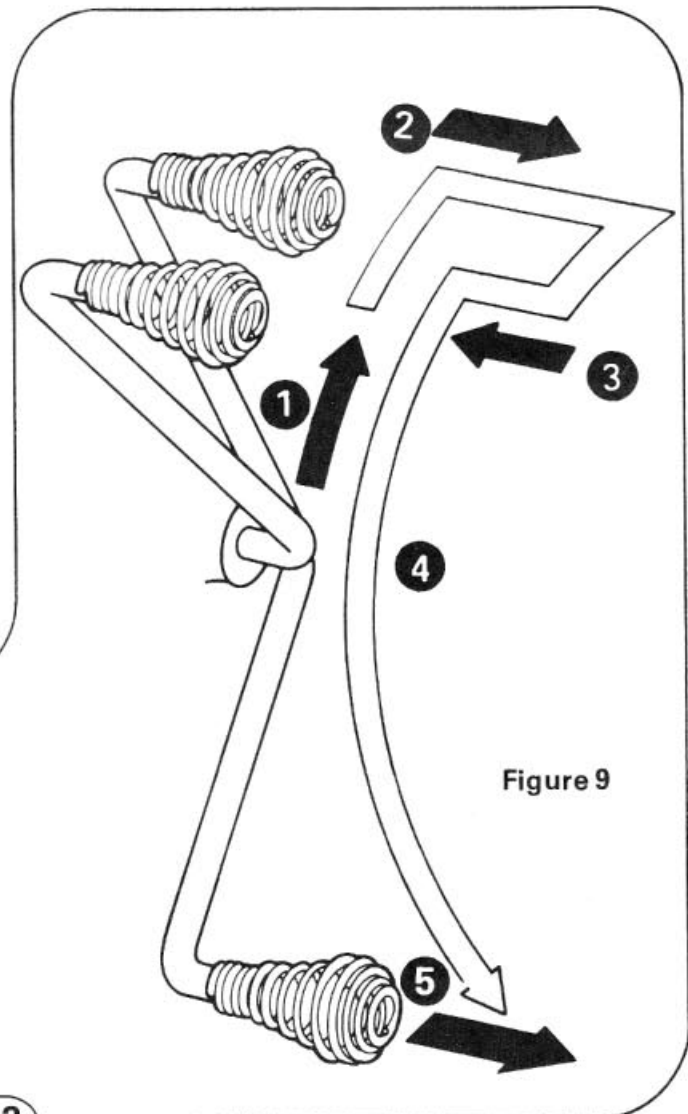
### DOOR LATCH

#### OPERATION

Dual action door latch provides an extra measure of safety when opening the stove door.

**DIRECTIONS:** Lift or raise handle and pull. Door will open one inch and stop. Rotate handle in the opposite direction and door opens easily. When closing door, reverse the procedure.

By creating a point of hesitation in the process of the opening of the door, the possibility of smoke or flame being drawn from the opening is minimized.



- 1 Lift or raise handle.
- 2 Pull. Door will open 1" and stop.
- 3 Push handle in.
- 4 Rotate handle in opposite direction.
- 5 Door opens easily.

## FIREBRICK INSTALLATION

There are 28 ASTM C27 or C64 firebricks (4 ½" x 9" x 1 ¼") included with the Fisher Fireplace Insert.

Bricks are identified with the word FLAME or LOUISVILLE or F.B.S. imprinted on each brick, or the marking "Clow Corp. Dover, Ohio Unbranded

Low Duty Firebrick" or "Whitacre Greer Alliance, Ohio Unbranded Low Duty Firebrick" marked on each package.

### INSTALL BRICK AS FOLLOWS:

- 1 Left—6 vertically placed as shown to meet rear of Insert.
- 2 Right—6 vertically placed, same as left.
- 3 Back—4 vertically placed, centrally located.
- 4 Bottom—12 horizontally placed as shown.

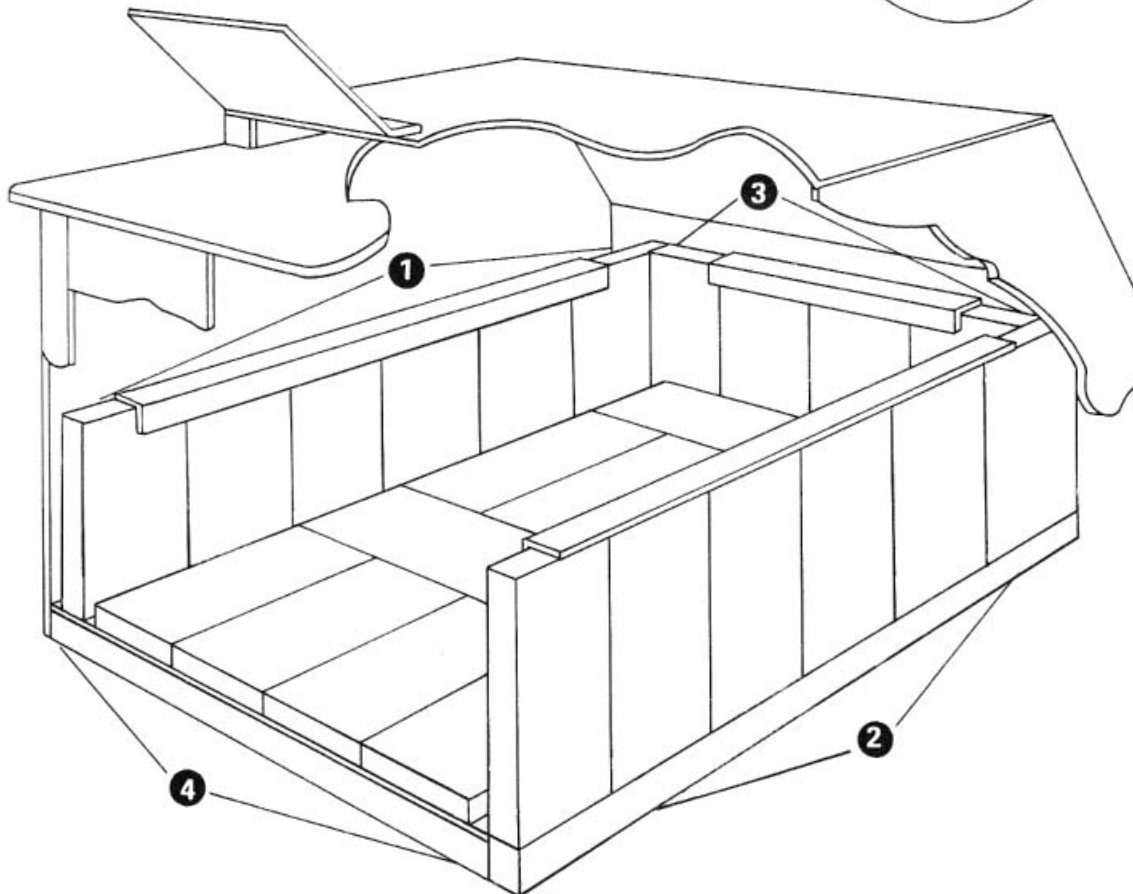
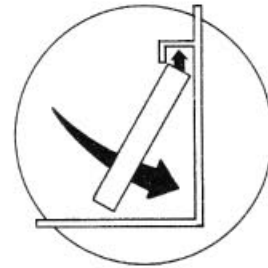


Figure 7

## FIREBRICK INSTALLATION

There are 28 ASTM C27 or C64 firebricks (4 ½" x 9" x 1 ¼") included with the Fisher Fireplace Insert.

Bricks are identified with the word FLAME or LOUISVILLE or F.B.S. imprinted on each brick, or the marking "Clow Corp. Dover, Ohio Unbranded

Low Duty Firebrick" or "Whitacre Greer Alliance, Ohio Unbranded Low Duty Firebrick" marked on each package.

### INSTALL BRICK AS FOLLOWS:

- 1 Left—6 vertically placed as shown to meet rear of Insert.
- 2 Right—6 vertically placed, same as left.
- 3 Back—4 vertically placed, centrally located.
- 4 Bottom—12 horizontally placed as shown.

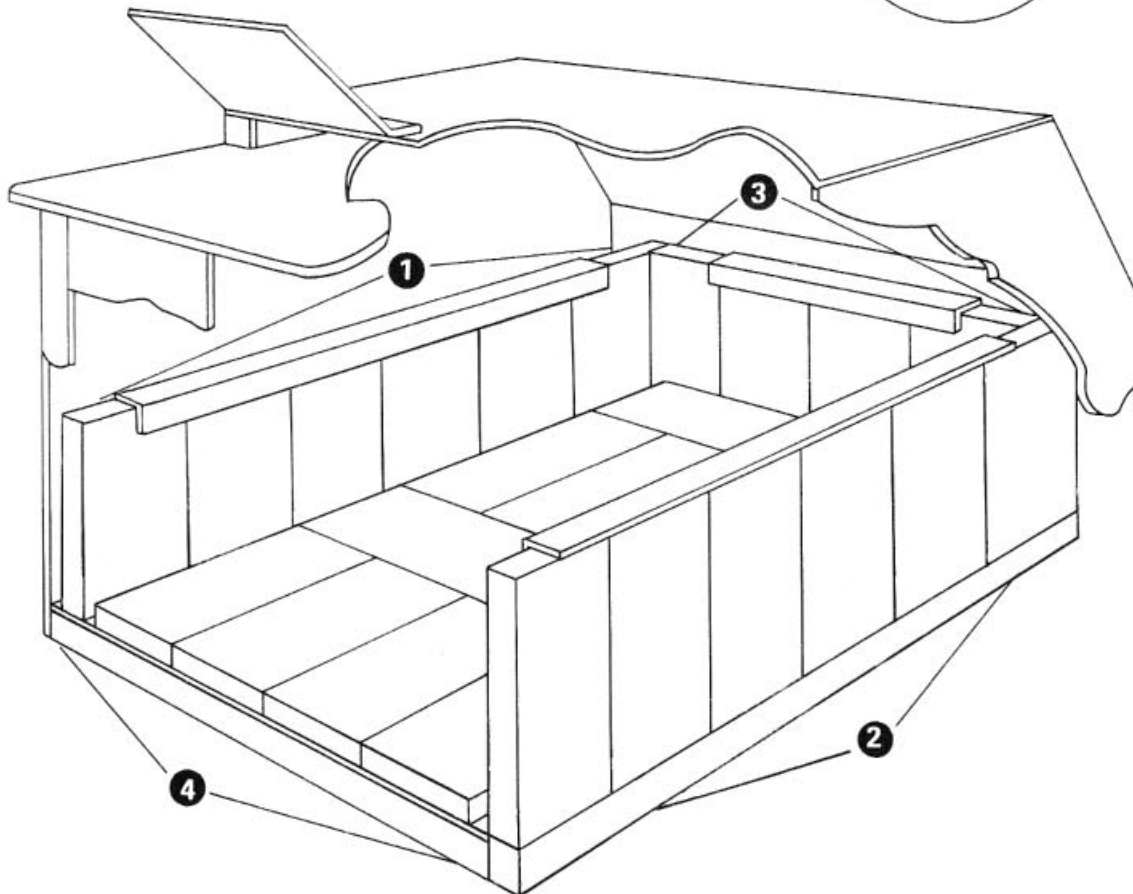
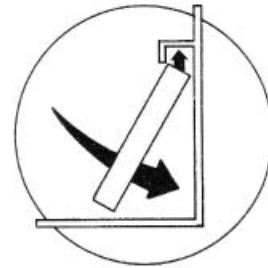
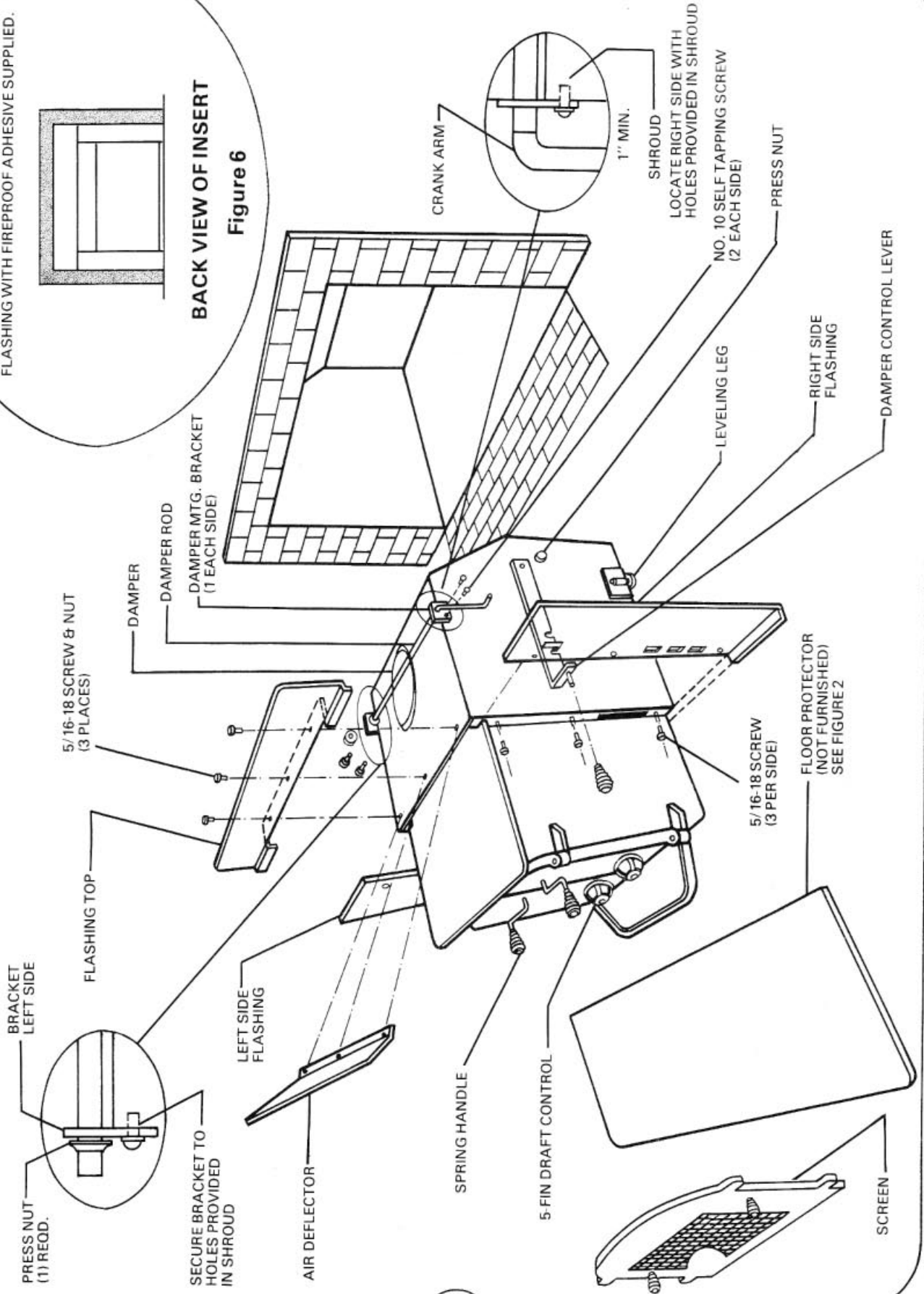


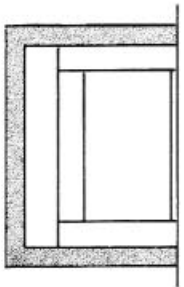
Figure 7

# ASSEMBLY DIAGRAM

**Figure 5**



INSTALL 2" MIN. WIDTH BY 1/2" MIN. THICK FIBERGLASS INSULATION ON BACK OF FLASHING WITH FIREPROOF ADHESIVE SUPPLIED.



**BACK VIEW OF INSERT**

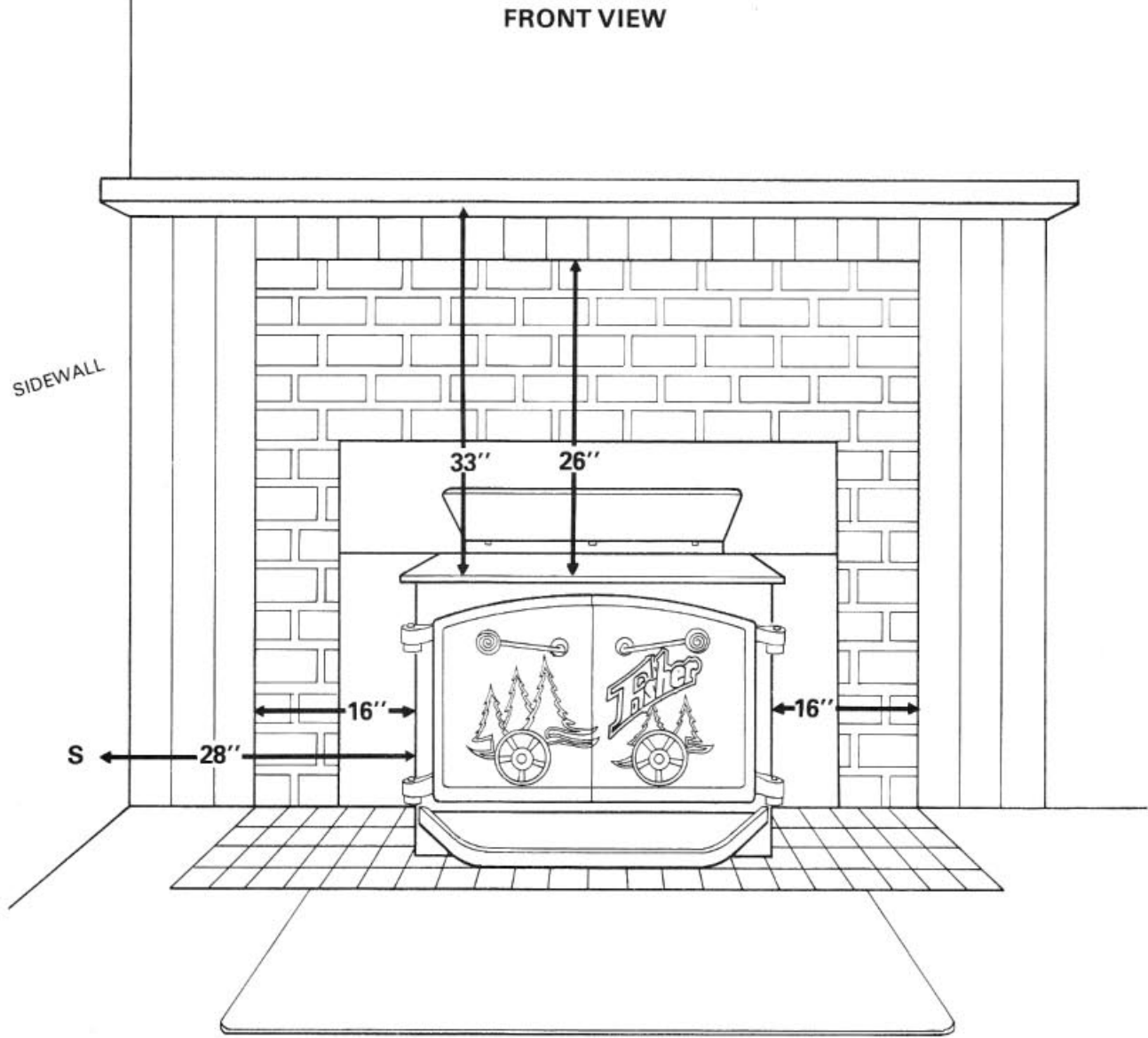
**Figure 6**



**Inspect and if necessary, clean masonry chimney. If in doubt about the condition of the masonry chimney, consult professional chimney service personnel.**

1. Spread out a protective covering in front of fireplace opening and over hearth area.
  2. Remove all glass doors and screens.
  3. Remove grate, ashes and debris from fireplace.
  4. Remove flue damper or lock into a permanent open position.
  5. Remove doors and firebrick from Insert to reduce weight and for ease in installation.
  6. Set the Insert on hearth with rear extending approximately 6" to 8" into the opening of the fireplace. Stabilize unit to prevent any forward movement.
  7. Adjust Insert so that it is centered with the fireplace opening.
  8. Adjust leveling legs until Insert sits level in the opening of the fireplace.
- DAMPER AND FLASHING ASSEMBLY:  
#9-20**
9. Locate and secure right hand bracket with screws provided. (Brackets may be reversed and have angled mounting slots for alignment corrections.)
  10. Crank arm end of damper rod should be to the right hand side and through the aperture provided in the bracket.
  11. Insert straight end of damper rod in remaining bracket and secure bracket to Insert with screws provided. (Damper closure plate should be centered over the flue for easy operation.)
  12. Use "press on" nut to retain damper rod in the left hand bracket.
  13. Secure right hand flashing to Insert with  $\frac{5}{16}$  bolts provided.
  14. Place damper actuating lever through rectangular slotted hole in right hand flashing. Secure to damper crank arm with "press on" nut.
  15. Place spring handle on stud on outward extending portion of actuating lever.
  16. Bolt left hand flashing to left hand side of the Insert.
  17. Locate air deflector and top flashing on the Insert and bolt in place—slotted holes enable alignment.
  18. Noncombustible insulation should be located to the back side of the flashing as shown in Figure 6.  
Use a noncombustible adhesive. The insulation should be a min. 2" wide and min. 1/2" thick. Do not seal flashings along flanged bottom.
  19. Uneven surfaces around the fireplace opening may require additional insulating materials and should be sealed. Use noncombustible material such as fiberglass.
  20. Position Insert snug against fireplace facing. A good seal between flashings and fireplace facing is required.
  21. Install firebrick. (See Figure 7.)
  22. Install doors. Make sure pins are all the way in place.
  23. Install spring handles. (See Figure 8.)
  24. Install floor protector in front of fireplace hearth. (See Figure 2.)
  25. Clear away all packaging, papers, cardboard, etc., making sure the air intake located under the ash fender is clear of any obstruction.

**CLEARANCES TO COMBUSTIBLES** (Continued)



**Figure 4**

## CLEARANCES TO COMBUSTIBLES (Continued)

### SIDE VIEW

- A** A combustible mantel must be located a minimum of 33" above the top of the Fisher Fireplace Insert. (This 33" requirement also applies to those structural combustibles that may be concealed to support a mantel or upper wall structure.)
- B** Any combustible trim must be located a minimum of 26" above the top of the Fisher Fireplace Insert and must not extend more than  $\frac{3}{4}$ " from face of fireplace.
- C** There must be a 1-1/2" minimum clearance between the ash fender and the fireplace hearth.

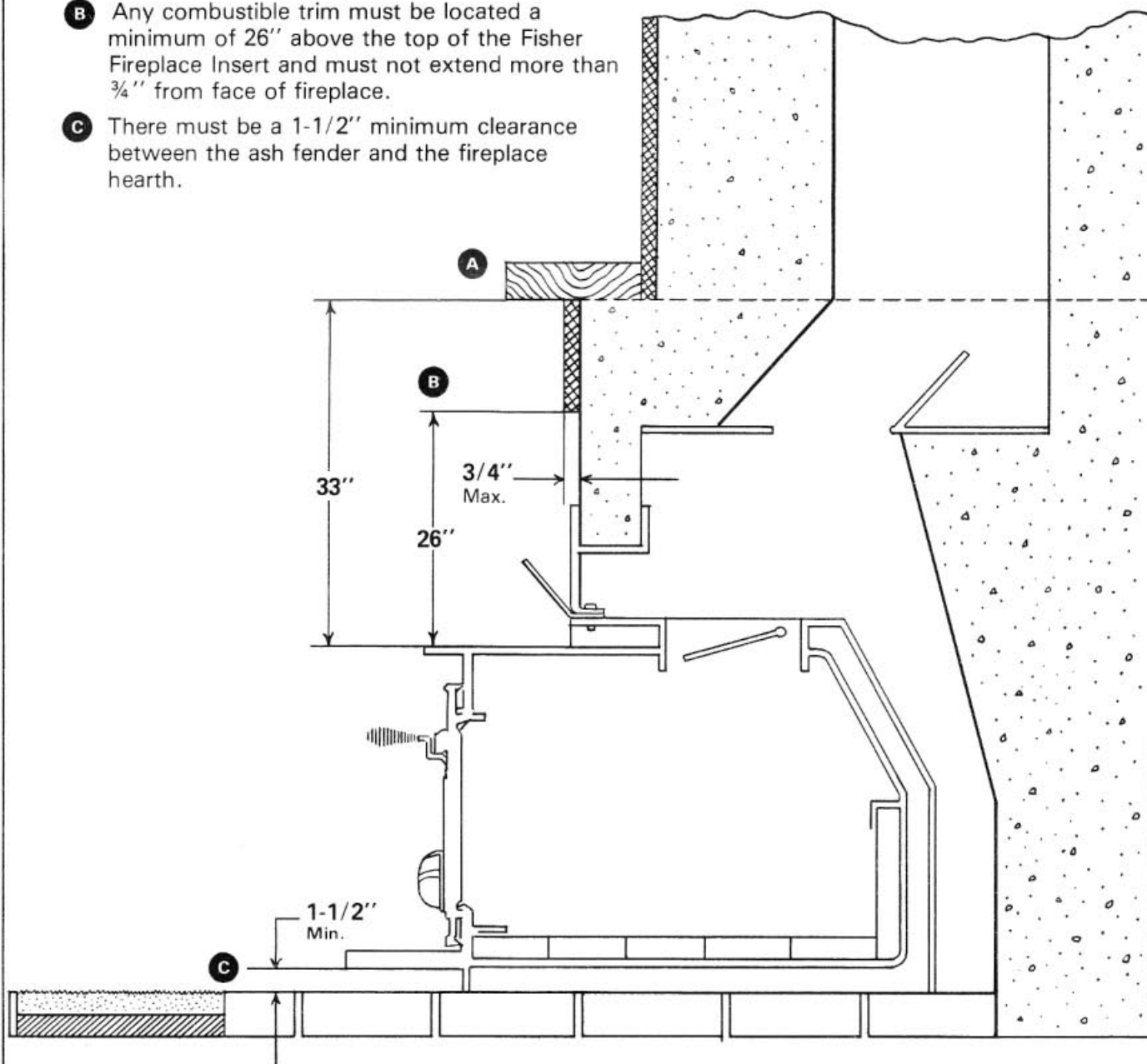


Figure 3

## INSTALLATION REQUIREMENTS

The Fisher Fireplace Insert is intended for installation into masonry fireplaces which meet the construction requirements in the National Fire Protection Association (NFPA) 211 Code for Chimneys, Fireplaces and Vents.

The chimney must be of masonry construction with a fire clay flue lining or stainless steel flue lining with an open cross-sectional area of at least 50 square inches ( $7\frac{1}{4} \times 7\frac{1}{4}$  inches square or 8 inches round).

The fireplace hearth must be a noncombustible material which must extend a minimum of 16" to the front of the fireplace opening and 8" at either side of the opening. A floor protector of  $\frac{3}{4}$ "

minimum thickness asbestos millboard or equivalent is required in front of the fireplace hearth and measure 16" deep by 38" wide, centered in front of the door opening. (See Figure 2.)

Combustible materials to the side of the fireplace opening must not be located closer than 16" to the side of the Fisher Fireplace Insert. Combustible materials above the fireplace opening must not be located closer than 26" above the top of the Fisher Fireplace Insert. All trim must not extend more than  $\frac{3}{4}$ " from the face of the fireplace. Any combustible mantel must be located at least 33 inches above the top of the Fisher Fireplace Insert. (See Figures 3 and 4.)

## CLEARANCES TO COMBUSTIBLES

### FIREPLACE HEARTH AREA

The noncombustible hearth (raised or flush with floor) shall extend at least 16" in front of, and at least 8" beyond each side of the masonry fireplace opening.

### FLOOR PROTECTOR

**MATERIAL:** Floor protector must be  $\frac{3}{4}$ " minimum thickness asbestos millboard or equivalent. If asbestos millboard is used, a noncombustible material such as tile or brick can be placed over it for decoration.

**MINIMUM SIZE:** The floor protector must extend in front of the Insert door opening and measure 38" wide by 16" deep by  $\frac{3}{4}$ " thick.

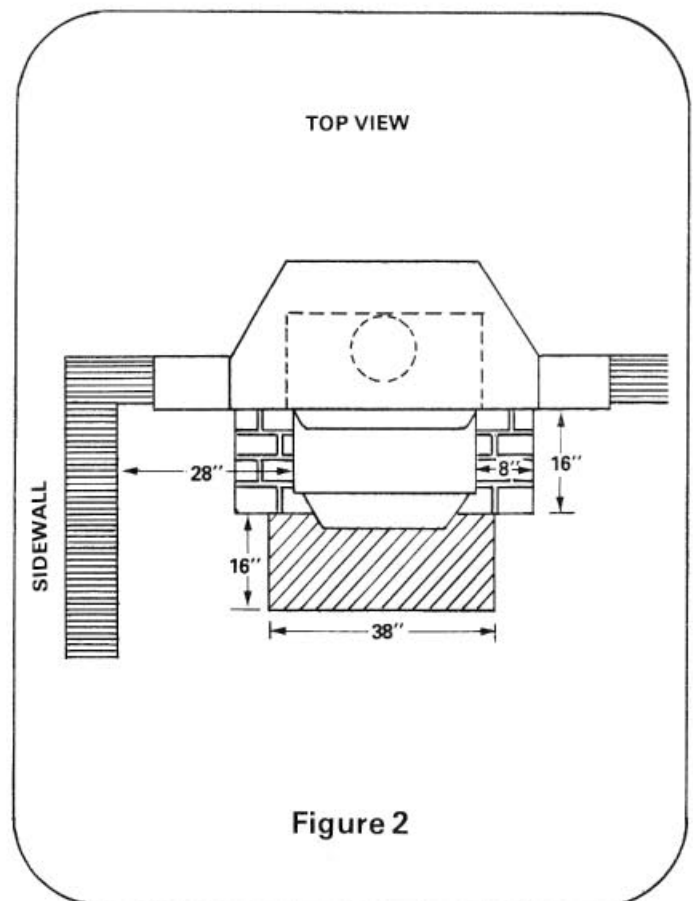


Figure 2

## II. INSTALLATION AND ASSEMBLY

### COMPONENTS OF A TYPICAL MASONRY FIREPLACE

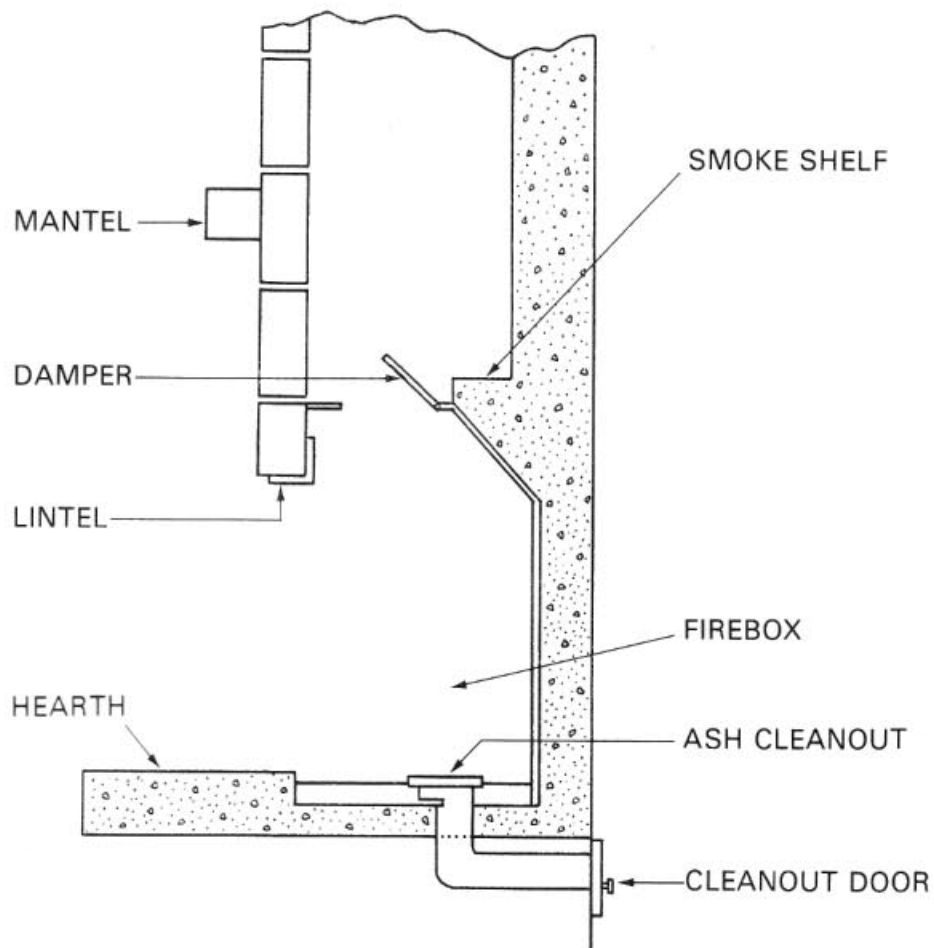


Figure 1

**MANTEL:**

A shelf above the opening of a fireplace.

**LINTEL:**

Horizontal piece of angle iron used to support the brick or rock over the fireplace opening.

**FIREBOX:**

Area that contains the fire.

**HEARTH:**

A brick, stone, or cement area in front of a fireplace designed for protection from sparks.

**ASH CLEANOUT:**

Designed for easy disposal of ashes from fire.

**CLEANOUT DOOR:**

Usually located outside house or in basement for ash removal.

**DAMPER:**

This part serves to restrict room air from escaping up flue when fireplace is not in use. (Remove or lock in open position.)

**SMOKE SHELF:**

Area to prevent smoke from entering room when fire is going.

# I. WARNINGS

**PLEASE READ THESE INSTRUCTIONS COMPLETELY BEFORE INSTALLING THE FISHER FIREPLACE INSERT. KEEP THIS MANUAL IN A SAFE AND CONVENIENT LOCATION.**

1. Contact your local building official for installation permits and comply with all state and local codes.
2. Do not install the Fisher Fireplace Insert into any existing fireplace which does not have a masonry flue.
3. Do not install the Fisher Fireplace Insert into a factory built metal fireplace with a metal flue.
4. Do not install the Fisher Fireplace Insert into a masonry chimney system serving another appliance.
5. Check and clean your masonry chimney system thoroughly. If in doubt about its condition, seek professional advise. All cracks or loose bricks should be repaired by a competent workman.
6. Comply with all minimum clearances to combustibles as shown in this manual.
7. Do not obstruct air inlet (under ash fender) or air outlet (below air deflector) of the Fisher Fireplace Insert.
8. Firebrick must be installed before firing stove.
9. Keep all household combustible materials at least 3 feet away from the stove. This includes clothing, furniture, wood, newspapers, matches, plastics, etc. Do not use the stove to dry clothing or green wood.
10. Never use gasoline, gasoline-type lantern fuel, kerosene, charcoal lighter fluid or similar liquids to start or "freshen up" a fire in this heater. Keep all such liquids well away from heater while it is in use.
11. Please use care and caution when filling your stove with fuel. Do not attempt to load fuel into the stove when the fire inside the stove is at or near its peak.
12. Do not burn large quantities of paper or combustible materials that would create an extremely hot/quick fire.
13. During operation, if any part of the heater starts to glow, the Insert is in an overfired condition. Stop adding fuel immediately and close the doors and draft controls completely until the glowing is eliminated.
14. Do not touch the Fisher Fireplace Insert while in operation. Contact may cause skin burns. Warn children and others of the possibilities of being burned if they touch the heater.
15. Cool ashes often contain hot coals and should be disposed of carefully. "Dispose of ashes" as follows: Ashes should be placed in a metal container with a tight fitting lid. The closed container should be placed on a noncombustible floor or on the ground, well away from all combustible materials, pending final disposal. If the ashes are disposed of by burial in soil or otherwise locally dispersed, they should be retained in the closed container until all cinders have thoroughly cooled.
16. Do not permit soot or creosote to accumulate excessively on the interior surfaces of the chimney or inside heater firebox. (See Maintenance section for further information.)
17. It is recommended a smoke alarm system be installed in your home.
18. In the event of a chimney fire:
  - A. Shut the doors and close draft controls completely on the Fisher Fireplace Insert.
  - B. Alert everyone in the house.
  - C. Call the Fire Department.
19. Do not use other than Fisher U.L. listed blower.

**PLEASE FOLLOW THESE WARNINGS TO AVOID RISK OF FIRE AND INJURY TO PERSON AND PROPERTY.**

# OWNER'S MANUAL

## TABLE OF CONTENTS

<b>I. WARNINGS</b>		4
<b>II. INSTALLATION AND ASSEMBLY</b>		5
COMPONENTS OF A TYPICAL MASONRY FIREPLACE	5	
INSTALLATION REQUIREMENTS	6	
CLEARANCE TO COMBUSTIBLES	6	
INSTALLING YOUR FISHER FIREPLACE INSERT	9	
ASSEMBLY DIAGRAM	10	
FIREBRICK INSTALLATION	11	
SPRING HANDLE ASSEMBLY	12	
<b>III. OPERATING INSTRUCTIONS</b>		12
DOOR LATCH OPERATION	12	
HOW TO BUILD A FIRE	13	
PAINT ODOR DURING START-UP	13	
USING COAL AS A FUEL	13	
CREOSOTE	13	
<b>IV. MAINTENANCE</b>		14
FIREPLACE/CHIMNEY SYSTEM	14	
FISHER FIREPLACE INSERT	14	

## **WELCOME . . .**

. . . to the growing family of Fisher woodburning stove owners throughout North America. Heating with wood is an idea whose time has come again and the Fisher Fireplace Insert is a stove that fits today's home using yesterday's fuel.

We are confident you will find that the Fisher Fireplace Insert by its very design, quality of materials and workmanship will provide you with many years of enjoyment, comfort and savings.

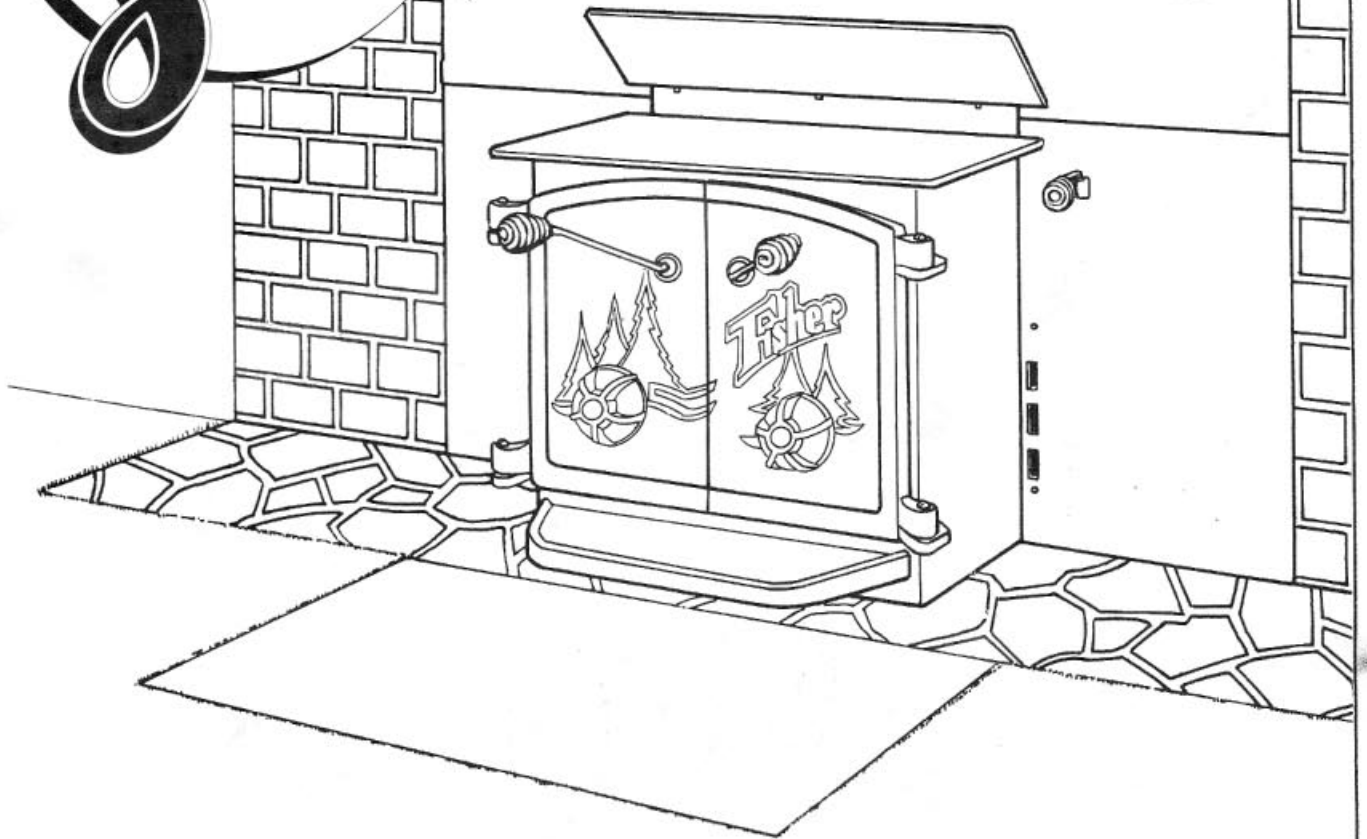
This Owner's Manual has been developed to assist you in installing and operating the Fisher Fireplace Insert safely and efficiently.

We encourage you to read and study the material carefully prior to installation.

**FISHER STOVES. AN IDEA AMERICA IS WARMING UP TO.**



# Fisher Stoves



FISHER FIREPLACE INSERT

## OWNER'S MANUAL



LISTED NO. MH11652

ASSEMBLY/INSTALLATION/OPERATION  
MAINTENANCE PROCEDURES

© Copyright Fisher Stoves® International, Inc. 1980—All Rights Reserved  
FISHER STOVE WORKS • P.O. BOX 10605 • EUGENE, OREGON 97440