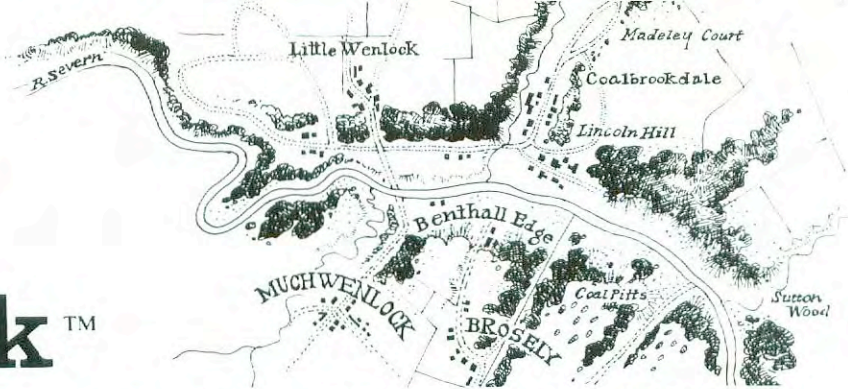




STOVEWORK
 1 BRANCH ST. UNIT 1
 MEDFORD, NJ 08055
 609-654-1384



Little Wenlock™

A Coalbrookdale Coal and Wood Burning Stove

Situated in the heart of beautiful Shropshire County, England, the village of Little Wenlock serves as a most appropriate name for this Coalbrookdale stove. Handsome in design, and meticulously crafted for optimum performance, the Little Wenlock will be an elegant addition to the center of any home.

Reduce Your Home Fuel Bills With Style

Only Coalbrookdale, with its long and illustrious history manufacturing solid fuel appliances and decorative castings, could offer such a handsome and economical design in a coal and wood burning stove.

Maximum Airtight Efficiency Plus Safe and Easy Operation

The Little Wenlock's straightforward design and incredibly efficient burn performance is the result of hundreds of hours of laboratory tests and design modifications. This has also helped make it so safe and easy to operate.

All Cast Iron Construction for Durability and Gentle, Radiant Heat

Coalbrookdale has no peer when it comes to quality cast iron construction. The Little Wenlock is rugged enough to last a lifetime, yet its cast iron also delivers a gentle, even, radiant heat.

Perfect Size For Den Or Family Room

The Little Wenlock's size makes it the perfect stove for heating one or two rooms without uncomfortable overheating or low inefficient burns.

Two Models Available — Wood Burning Only, and Coal and Wood Burning.



Coalbrookdale now offers the American homeowner what has long been sought in a small coal and wood burning stove: **Maximum efficiency** and **stylish design**. The Little Wenlock truly is an attractive and sensible British solution to the skyrocketing cost of home fuel bills.



Glynwed International

©1982 The Coalbrookdale Co.

Let this sensible British import reduce your fuel bills

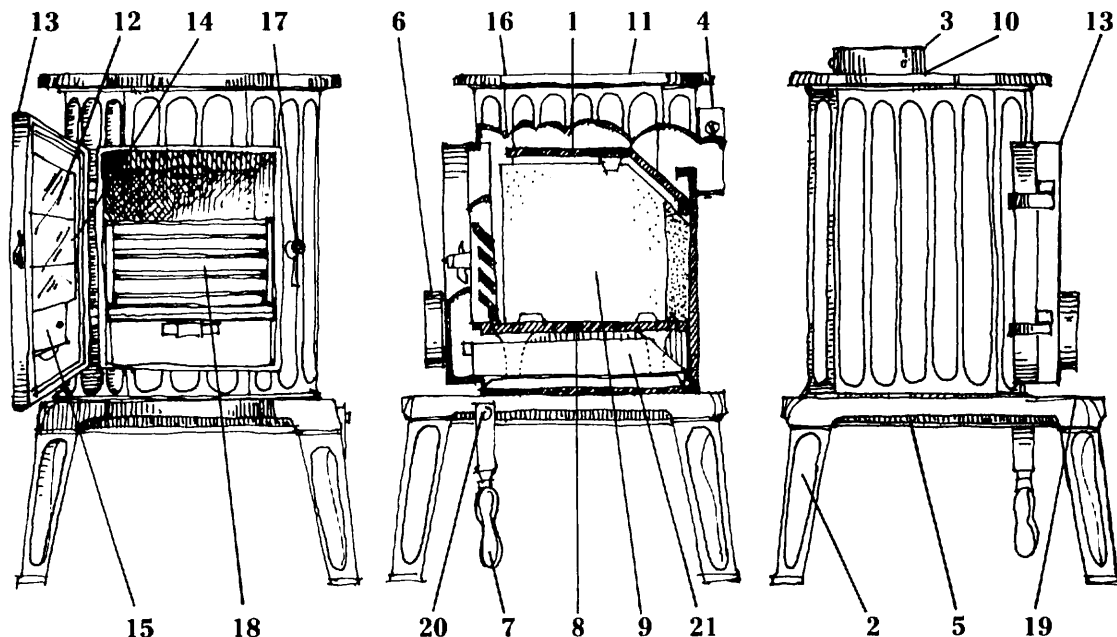
Coalbrookdale's more than 150 years of experience in the manufacture of solid fuel appliances is much in evidence in the Little Wenlock. From the durable and painstaking cast iron construction, to the handsomely styled appearance, the Little Wenlock is an example of the Coalbrookdale Company at its best.

The Little Wenlock's performance is remarkable too. Don't be fooled by the seeming lack of complex baffle systems or intricate air

flow patterns. The Little Wenlock is one of the most efficient stoves available.

After many, many hours of testing and modifying the design, the end product is capable of putting out 22,000 BTU's of heat per hour.

The Little Wenlock will give each and every owner many years of beautiful, trouble-free radiant warmth.



1. BAFFLE PLATE directs air for most efficient combustion and maximum heat transfer.
2. 8" LEGS STANDARD
3. FLUE COLLAR ADAPTOR for 6" chimney connector can easily be attached to either the top or rear flue exit.
4. REAR FLUE EXIT can be used for installation into almost any existing masonry fireplace.
5. HEAT SHIELD for added floor protection.
6. PRIMARY DRAFT CONTROL located on the front door for easy and safe manual operation. Eliminates fear of thermostat malfunction.
7. DRAFT CONTROL HANDLE opens primary draft control, front door and lifts up ash pan without fear of getting burned.
8. FUEL GRATE* holds the fuel for best air circulation and burn performance, while allowing ash to sift below. Slicer included for convenience.
9. FIRE BRICK LINER* ensures maximum stove life and performance.
10. TOP FLUE EXIT also available on the Little Wenlock for increasing the number of locations possible for installation.
11. BLANKING PLATE absolutely must be used to seal the flue exit that is **not** going to be used for venting.
12. GLASS PANELS for beautiful fire viewing in airtight mode of operation.
13. FRONT LOADING DOOR for easy refueling.
14. PRECISION MACHINED DOOR for airtight seal without troublesome gaskets that frequently need replacing.
15. AIR DEFLECTOR keeps glass panels clean and moves air upward for maximum secondary combustion.
16. FLAT TOP is suitable for cooking or boiling water.
17. DOOR LATCH keeps front loading door securely shut at all times.
18. FRONT BAR is a unique safety feature that prevents cinders from accidentally spilling out of firebox.
19. ASH LIP prevents such ash and dangerous cinders from falling on floor when cleaning.
20. BOLT for hanging draft control handle.
21. ASH PAN* for quick and easy disposal of wood or coal ash.



LISTED

SPECIFICATIONS

Heat Output:	20,000 BTU'S/hr. Wood, 22,000 BTU's/hr. Coal
Area Heated:	2-4,000 Cubic Feet
Fuel:	Wood, or Coal & Wood
Length of Fire:	Up to 16 Hours Coal, Overnight Wood
Log Length:	Up to 10"
Loading:	Front Only
Weight of Load:	20 lbs. Coal 15 lbs. Wood
Flue Exit:	Top or Rear
Flue Size:	6"
Rear Flue Height (top):	25½"
Stove Height:	27"
Width:	15" top, 16½" bottom
Depth:	13" top, 17" bottom
Weight:	156 lbs. Wood Model, 187 lbs. Coal and Wood Model
Min. Clearances to Walls:	36" Back and Side. Contact local building or fire officials.

The Coalbrookdale Company

522 Parkway View Dr., Pittsburgh, PA 15205.
Sales Office: RFD 1, Box 477, Stowe, VT 05672.
802/253-9727

Little Wenlock™

Sensibly British

*Coal and Wood Burning Model Only.