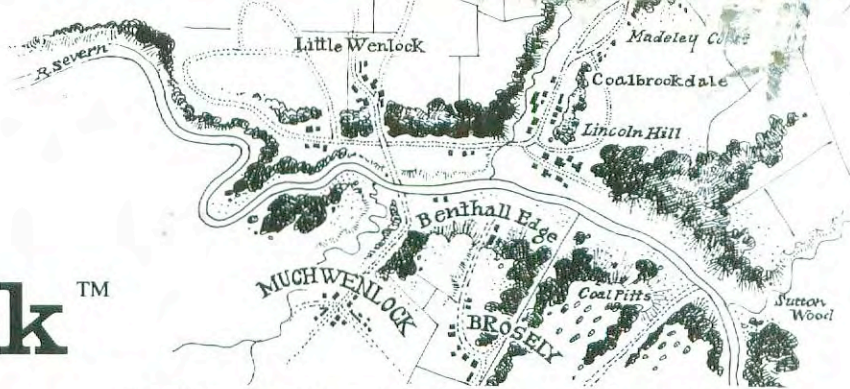




STOVEWORKS INC.
1 BRANCH STREET
MEDFORD, N.J. 08055
(609) 654-1384

Much Wenlock™

A Coalbrookdale Coal and Wood Burning Stove



The village of Much Wenlock sits directly across the Severn River from its "little brother," the village of Little Wenlock. It is this relationship that makes Much Wenlock the perfect name for Coalbrookdale's new medium-size coal and wood burning stove, since in many ways it is the ideal "big brother" to the Little Wenlock stove.

Provides Cheerful and Attractive Warmth

The Much Wenlock, with its distinctive British styling and elegant glass panels for fire viewing, will provide a cheerful atmosphere and an attractive focal point for any room.

Burns Wood or Coal — With No Change-Over Necessary

The Much Wenlock was specifically designed and built to burn both American coal and wood. Its incredible shaker grate system can burn either fuel without requiring any internal set-up changes or the need to purchase expensive retro-fit kits.

Averages 35,000 BTU's of Heat per Hour

The Much Wenlock's 35,000 BTU heat production capacity offers the perfect intermediate range for homeowners. It's a remarkably efficient stove, too. Tests have shown the Much Wenlock can hold a wood fire for 10 hours, and an anthracite coal fire **for over 18 hours!** It will heat an area up to 8000 cubic feet in size.

Built To Last

Coalbrookdale is famous for the high quality of its cast iron products. The Much Wenlock maintains this rich heritage with its painstaking all cast iron construction and long-life design. You will enjoy this stove for many, many years to come.

Easily Affordable

The Much Wenlock is so attractively priced, it will pay for itself in a very short period of time — and give you a lifetime of trouble-free, comfortable radiant heat.



The Much Wenlock can be installed free-standing, or into almost any existing fireplace. Its attractive British style will add charm to your home...and warmth!



Glynwed International

©1983 The Coalbrookdale Co.

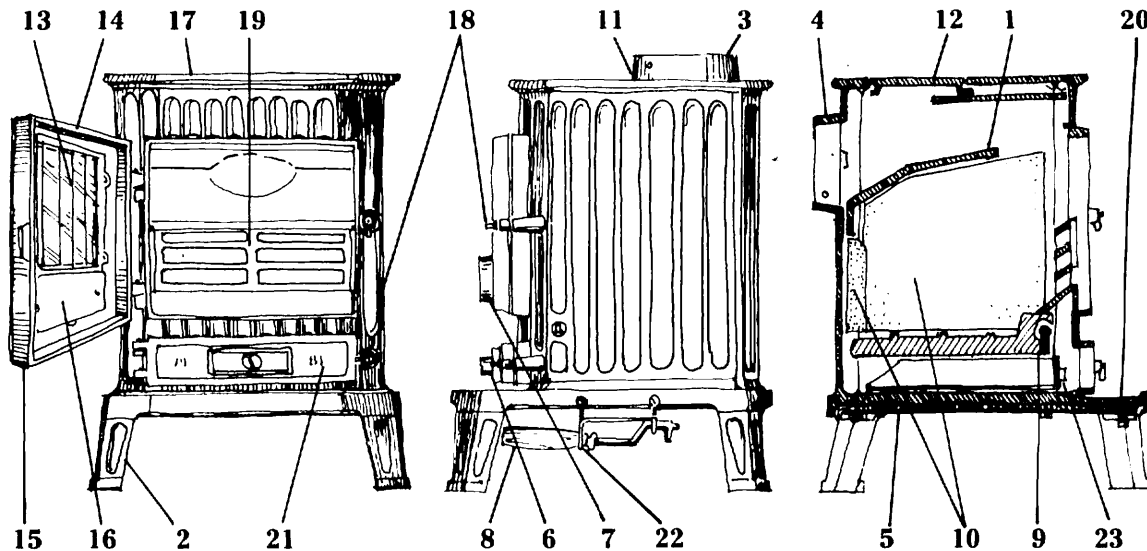
Cut your fuel bills with this stylish British import

Founded in 1709, in Shropshire County, England, the Coalbrookdale Company has been manufacturing cast iron solid fuel appliances for homeowners for the last 150 years!

The Much Wenlock is yet another example of Coalbrookdale's superior experience in the solid fuel field. From its extremely efficient and straightforward design, to the outstanding quality of its

craftsmanship, to its stylish British exterior...the Much Wenlock is a practical and charming British solution to the high cost of heating your home.

With the Much Wenlock, you can burn either coal or wood — and enjoy the beauty of its trouble-free radiant warmth for years to come.



1. BAFFLE PLATE directs air for most efficient combustion and maximum heat transfer.
2. 5" LEGS STANDARD
3. FLUE COLLAR ADAPTOR for 6" chimney connector can easily be attached to either the top or rear flue exit.
4. REAR FLUE EXIT can be used for installation into almost any existing masonry fireplace.
5. HEAT SHIELD for added floor protection.
6. PRIMARY DRAFT CONTROL located on the ash pan door provides safe and easy manual operation. Eliminates fear of thermostat malfunction.
7. SECONDARY DRAFT LOCATION is pre-adjusted and fixed to regulate the level of fuel volatiles, whatever the type and quality of fuel you use.
8. DRAFT CONTROL HANDLE opens the primary draft control, both the ash door and the front loading door, as well as lifting up the ash pan without fear of getting burned.
9. SHAKER GRATE SYSTEM was perfected over many years of experimentation and usage in Great Britain. It has been adapted to easily handle American coal or wood.
10. FIRE BRICK LINER ensures maximum stove life.
11. TOP FLUE EXIT also available on the Much Wenlock for increasing the number of possible locations for installation.
12. BLANKING PLATE absolutely must be used to seal the flue exit that is **not** going to be used for venting.
13. GLASS PANELS for beautiful fire viewing in airtight mode of operation.
14. FRONT LOADING DOOR for easy refueling.
15. PRECISION MACHINED DOORS for airtight seal without troublesome gaskets that frequently need replacing.
16. AIR DEFLECTOR keeps glass panels clean and moves pre-heated air upward for maximum secondary combustion.
17. FLAT TOP is suitable for simmering or keeping food warm.
18. DOOR LATCHES keep the ash pan and front loading doors securely shut at all times.
19. FRONT BAR is a unique safety feature that prevents cinders from accidentally spilling out of the firebox.
20. ASH LIP prevents ash and dangerous cinders from falling on floor when cleaning or adding fuel.
21. ASH PAN DOOR can be easily opened to provide fast and safe ash removal.
22. TOOL RACK for keeping the draft control handle.
23. ASH PAN for quick and easy disposal of wood or coal ash.

SPECIFICATIONS

Heat Output:	35,000 BTU's/hr.
Area Heated:	Up to 8,000 Cu. Ft.
Fuel:	Coal or Wood
Length of Fire:	Up to 16 hrs. Coal Up to 10 hrs. Wood
Log Length:	14" Maximum
Loading:	Front Only
Weight of Load:	50 lbs. Coal 30 lbs. Wood
Flue Exit:	Top or Rear
Flue Size:	6"
Rear Flue Height (top):	25"
Stove Height:	27"
Width:	19¼" top 20½" bottom
Depth:	15½" top 19½" bottom
Weight:	270 lbs.
Min. Clearances to Walls:	36" Side and Back. Contact local building or fire officials.

The Coalbrookdale Company

522 Parkway View Dr., Pittsburgh, PA 15205.
Sales Office: RFD 1, Box 477, Stowe, VT 05672.
802/253-9727

Much Wenlock™

Stylishly British