

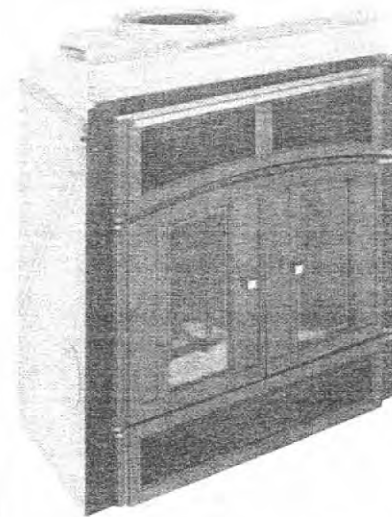
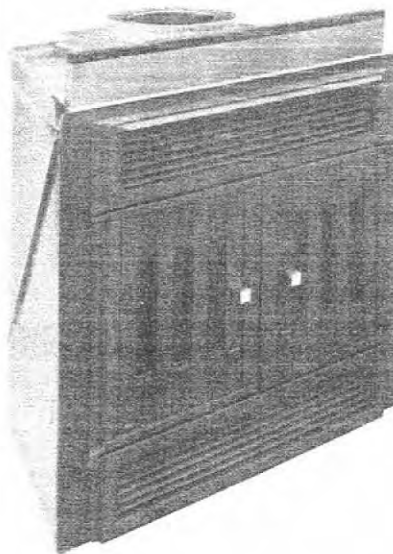
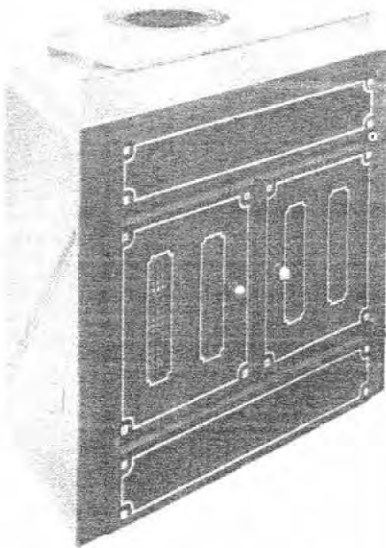
## *Installation Instructions*

*For Superior's  
Stoveplace  
SP Series Fireplaces  
Model SP38T-1  
Model SP38C-1  
Model SP38A*

This installation manual will help you obtain a safe, efficient, dependable installation for your fireplace and chimney system. Please read and understand these installation instructions before beginning your installation.

Do not attempt to modify or alter the construction of the fireplace or its components. Any modification or alteration of construction may void the warranty, listings and approvals of this system.

**PLEASE RETAIN THIS  
MANUAL FOR FUTURE  
REFERENCE.**



## RULES TO FOLLOW FOR SAFETY

1. Before starting your fireplace installation, read these safety tips and installation instructions carefully to be sure you understand completely. Failure to follow them could cause a fireplace malfunction resulting in serious bodily injury and/or property damage.

2. Always check your local building codes. The installation must comply with their regulations.

3. Connect this model fireplace to a Superior Model TF8 (8" inside diameter) (203 mm) or Model TF10 (10" inside diameter) (250 mm) Thru Flow Chimney System intended for use as a residential type appliance chimney only and vent to the outside of the building.

4. To maintain top efficiency, and to prevent build-up of soot and creosote, inspect and clean the fireplace and chimney prior to use and periodically during the heating season.

5. Use solid wood fuel only. DO NOT use artificial logs, chemical chimney cleaners, coal or flame colorants in your fireplace.

6. Do NOT use charcoal or coal. This fuel gives off deadly carbon monoxide fumes.

7. NEVER use gasoline, gasoline-type lantern fuel, kerosene, charcoal lighter fluid, or similar liquids to start or 'freshen up' a fire in this fireplace. Keep all such liquids well away from the fireplace while it is in use.

8. WARNING: DO NOT INSTALL FIREPLACE IN A BEDROOM OF A MANUFACTURED HOME.

9. NEVER leave children unattended when there is a fire burning in the fireplace.

10. Always keep flue damper open while heat is present in fireplace.

11. Before servicing, allow fireplace to cool. Always shut off any electricity to fireplace while working on it. This will prevent electrical shocks or burns.

12. This fireplace is not intended to heat an entire home. Its use should be for supplemental heating only.

13. Ensure an adequate supply of combustion air to prevent hazards due to poor combustion and to avoid affecting other fuel burning appliances.

## TOOLS AND BUILDING SUPPLIES NORMALLY REQUIRED

Tools should include:

- Phillips screwdriver
- Slot style screwdriver
- Hammer
- Saw and/or Sabersaw
- Level
- Measuring tape
- Plumb line
- Electric drill and bits
- Pliers
- Square

Building supplies:

- Framing materials
- Wall finishing materials
- Caulking materials (noncombustible)
- Fireplace surround and hearth extension materials (noncombustible)

## PRECAUTIONS

The most important areas of concern dealing with the installation of factory built fireplaces are clearances to combustible materials, secure assembly of component parts, height of chimney system, the proper use of accessory equipment, and the techniques employed in using finishing materials applied to fireplace surrounds, hearth extensions and wall shields. Each of these topics will be covered in great detail throughout this manual. Please give each your special attention as you progress with your installation.

## INTRODUCTION

### General Information

The Stoveplace is a decorative energy efficient wood burning appliance featuring a self contained heat circulation system and cast iron doors with mica or glass viewing windows and combustion air regulators that are adjustable to control the combustion rate. A Forced Air Kit Model 160-FAK-1 is included with the Stoveplace to boost the BTU output. A cast iron fuel grate is also included with the Stoveplace to properly position the fire. An Outside Combustion Air

Kit is available as optional equipment. Note disclaimer concerning Combustion Air Kit Section, *Page 19*.

Your Stoveplace has been tested and listed to be installed in mobile and conventional homes by Underwriters Laboratories, Inc. (No. MH-8988). The Stoveplace has also been listed to be installed only in conventional homes in Canada by Warnock Hersey International Inc. You will receive years of comfort and enjoyment from your Stoveplace provided it is installed and operated properly.

Failure to use parts manufactured by Superior Fireplace Company and variations in techniques and construction materials described in this installation manual may create a serious fire hazard and void the Superior Warranty.

The Stoveplace system consists of four sub-systems:

1. The Stoveplace And Door Assembly
2. The Chimney And Termination
3. The Forced Air Kit
4. The Optional Combustion Air Kit

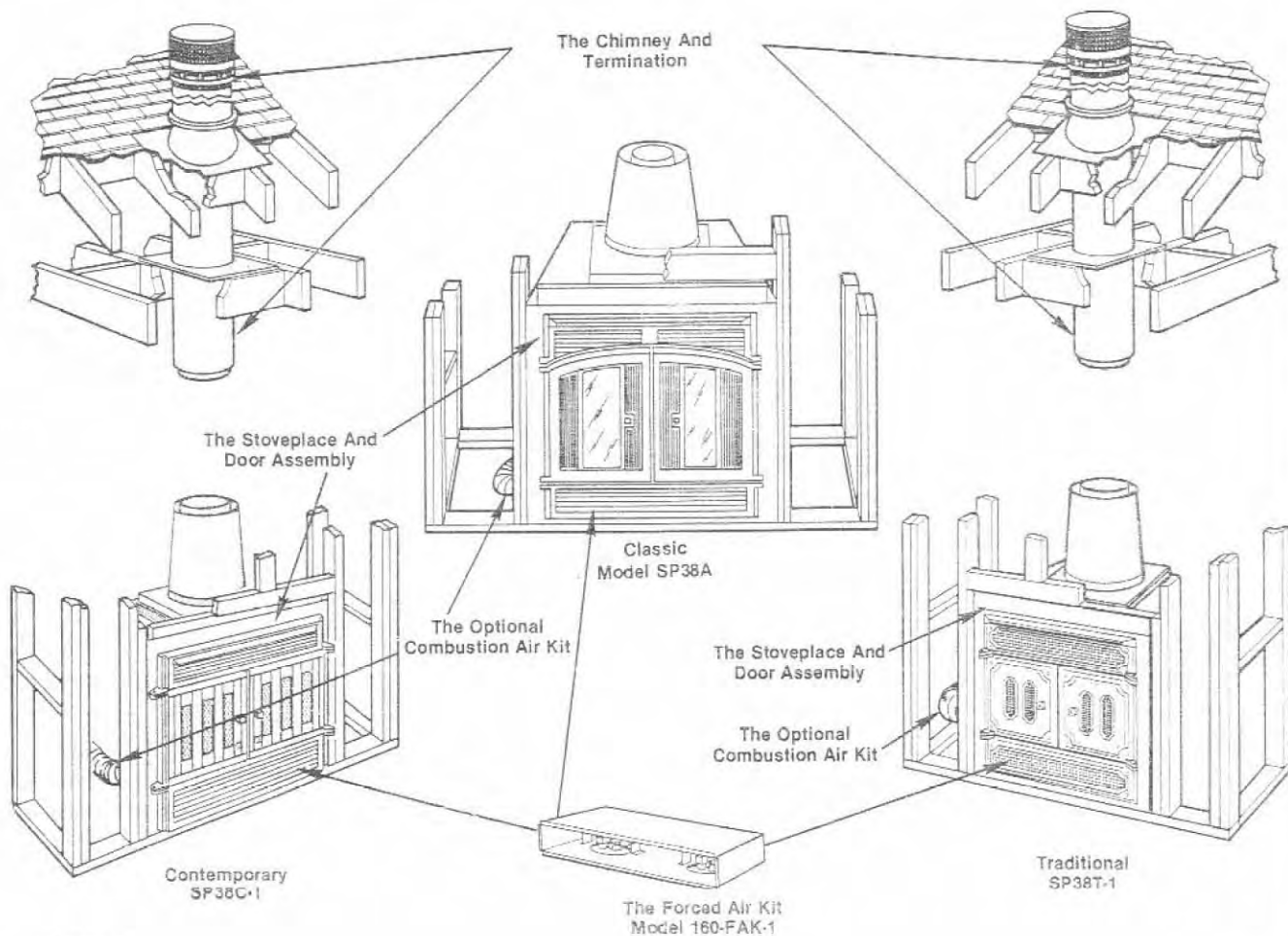


Figure 1

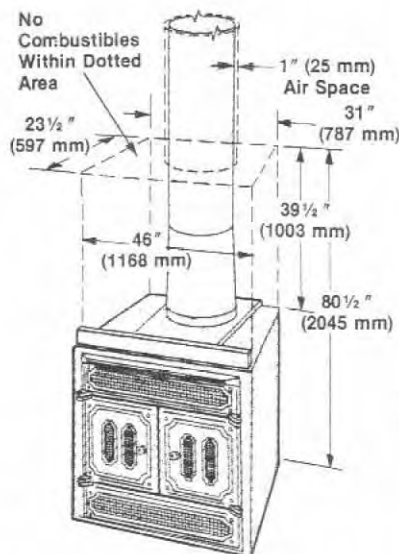


## CLEARANCES AND HEIGHT REQUIREMENTS

The Stoveplace may be placed directly on or against normal construction materials.\* The chimney requires a minimum 1" (25 mm) air space to combustibles.

**CAUTION: NO COMBUSTIBLE MATERIAL MAY BE PLACED WITHIN THE AREA DEFINED BY THE SIDES, BACK AND THE REAR PLANE OF THE 2x4 (51x102 mm) HEADER AND EXTENDING VERTICALLY 39½" (1003 mm) ABOVE THE STOVEPLACE OR 80½" (2045 mm) ABOVE THE SURFACE THE STOVEPLACE RESTS ON (FIGURE 2).**

The Stoveplace and chimney must be enclosed when installed in or passing through a living area where children may come in contact with it.



4 Figure 2

### \*Construction materials:

- framing materials
- plywood
- particle board
- flooring
- millboard
- dry wall
- paneling
- etc.

For questions please call Superior Fireplace Company. Special restrictions apply to the front and facing of the fireplace and nearby walls. (See pages 20 and 21.)

## CHIMNEY SYSTEM

Superior zero clearance fireplace systems Models SP38T-1, SP38C-1 and SP38A are designed and code listed for use with Superior's TF8 and TF10 Thru Flow Chimney Systems. Always use Superior's Thru Flow chimney and chimney components with this fireplace system. Do NOT modify or alter these components as this could create a serious hazard and will void the Superior warranty.

## CHIMNEY HEIGHT

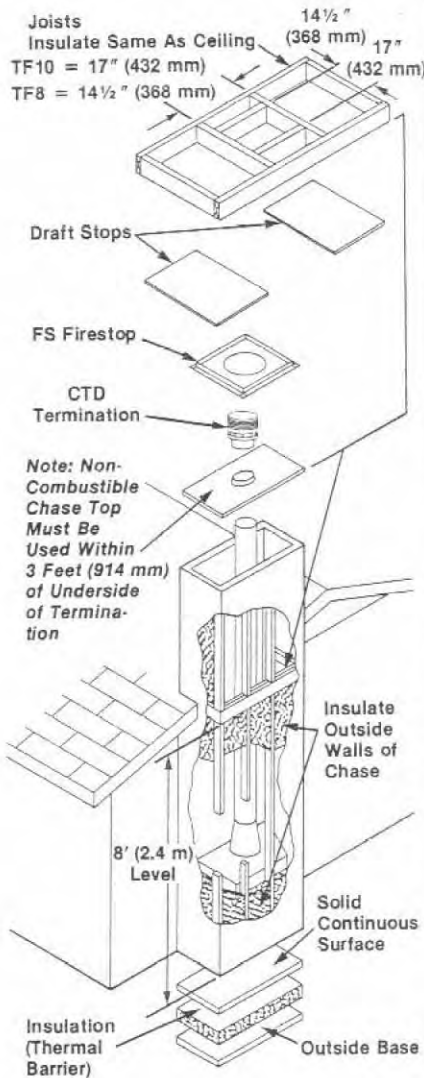
The total height of your SP fireplace system from the floor of the firebox to the chimney top must not exceed 72' (22 m) for conventional homes and 20' (6 m) for manufactured homes, and must also meet minimum height requirements. Refer to the minimum system height chart.

## MINIMUM SYSTEM HEIGHT

MODEL	SP38T-1 SP38C-1 SP38A
Vertical Installation Conventional Home	12'0" (3.7 m)
Vertical Installation Manufactured Home	12'0" (3.7 m)
Offset Installation Conventional and Manufactured Home	(1 Offset) 12'0" (3.7 m)
Offset Installation Conventional Home	(2 Offsets) 25'0" (7.6 m)

## CHASE ENCLOSURE

If you plan on using a chase (a vertical box-like structure), overhead obstructions will normally be avoided; however, other factors must be considered. A chase should be constructed (and insulated) just like any other outside wall. The base of the chase should also be insulated between the solid continuous floor beneath the fireplace and the chase bottom. Refer to Figure 3 for typical chase configuration.



**WARNING: THE FIREPLACE MUST NOT BE PLACED AGAINST INSULATION OR VAPOR BARRIER. INSULATION OR VAPOR BARRIER MUST FIRST BE COVERED WITH GYPSUM BOARD, PLYWOOD OR PARTICLE BOARD.**

**Notes:**

1. Do Not Insulate The Chase Cavity With Blown Or Fill Type Insulation Materials.
2. Local Codes May Not Require Firestopping At The Ceiling Level For Outside Chase Installations, But Is Recommended For Safety And The Reduction Of Heat Loss.

Figure 3

## ASSEMBLY OUTLINE

### Before You Start

Check your inventory list to be sure you have all the necessary parts supplied in good useable condition. Check also for any concealed damage.

Check the operation of the flue damper. The flue damper handle extends down from the inside top of fireplace; push in to close, pull out to open - takes firm pressure to lock closed.

## LOCATION OF FIREPLACE

Carefully select the proper location for heat circulation, aesthetics, chimney obstructions, and clearance to side wall. With proper preplanning, a slight adjustment of a few inches can save considerable time and expense during construction and assembly.

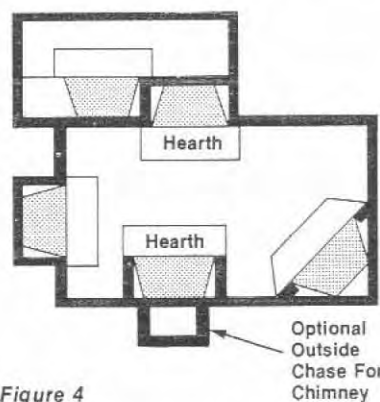


Figure 4

If there is a perpendicular side wall closer than 18" (457 mm) from the nearest side of the fireplace opening, it must be protected with a metal wall shield (WS40), manufactured by Superior or one constructed with a 40" x 40" x 1/2" (1016 mm x 1016 mm x 13 mm) millboard or a durable non-

combustible material with equal or greater insulating value (see page 21). A perpendicular side wall cannot be closer than 8" (203 mm) from the fireplace opening.

## ASSEMBLY STEPS

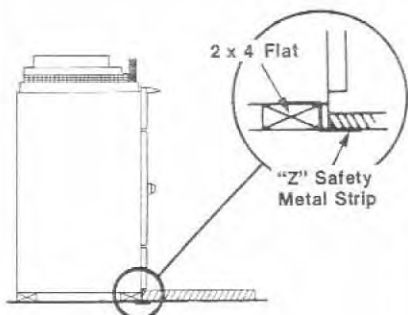
1. Position firebox prior to framing or into prepared framing.
2. Install chimney system.
3. Install optional outside combustion air kit (required for manufactured housing).
4. Field wire main power supply to fireplace.
5. Complete finish wall material, surround and hearth extension to your own individual taste.

Study the three dimensional illustration (Figure 1) to get a general idea of the location of each element of your fireplace system.

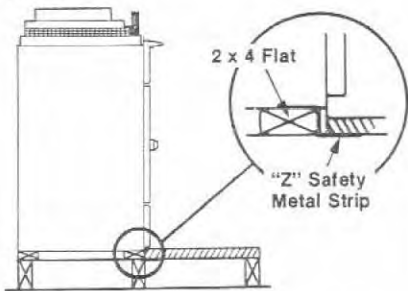
## INSTALLING THE FIREPLACE

The fireplace may be installed directly on a combustible floor or may be raised on a platform of any desired height. Do not place fireplace on carpeting, vinyl or other soft-surfaced floor coverings. It may, however, be placed on flat wood, plywood, particle board or other hard-surfaced materials. Be sure fireplace rests on a solid continuous floor or platform so no cold air can enter room from under fireplace.

The fireplace may be positioned and then the framing built around it, or the framing may be constructed and the fireplace pushed into the opening.



Stoveplace And Hearth Extension On Floor  
Figure 5



Stoveplace On Raised Platform  
Figure 6

Usually, no special floor support is needed for the fireplace; however, to be certain:

1. Estimate the total weight of the fireplace system and surround materials such as brick, stone, etc., to be installed. Shipping weights for the fireplace and chimney components may be found in the suggested price list.
2. Measure the square footage of the floor space to be occupied by the system, surrounds and hearth extension.
3. Note the floor construction, i.e., 2 x 6's, 2 x 8's or 2 x 10's, (51 x 152 mm, 51 x 203 mm, or 51 x 250 mm), single or double joists, type and thickness of floor boards.
4. Use this information and consult your local building code to determine if you need additional support.

**CAUTION: DO NOT BLOCK THE HEAT CIRCULATING AIR INLETS AND OUTLETS. DOING SO MAY RESULT IN A POTENTIAL FIRE HAZARD.**

If you plan to raise the fireplace and hearth extension, build this platform assembly, then position fireplace and hearth extension on top.

### TO INSTALL:

**Step 1:** Nail metal hearth strips in position over 2 x 4 plate as shown in Figures 5, 6 and 7.

**Step 2:** Slide Stoveplace into position on floor plates, front and rear, or raised platforms (Figures 5 and 6).

**Step 3:** Refer to fireplace drawings and specifications on pages 8 and 9 for framing dimensions and details. Framing header may be positioned directly on top of the fireplace spacers.

**CAUTION: THE STRUCTURAL INTEGRITY OF A MANUFACTURED HOME FLOOR, WALL AND CEILING/ROOF MUST BE MAINTAINED.**

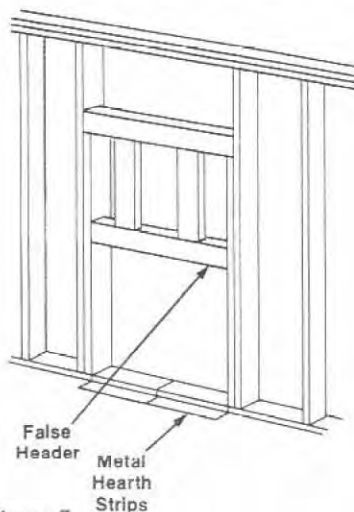


Figure 7

**Step 4:** Fireplace may be anchored to floor (in manufactured housing, fireplace MUST BE anchored to the floor). Figure 8 illustrates the seismic anchor clip provided with the fireplace. Figure 9 illustrates the proper installation technique.

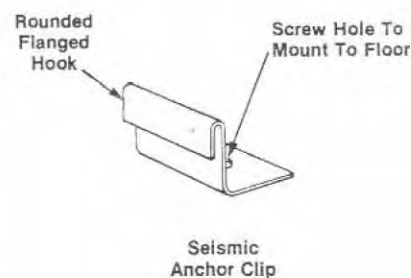


Figure 8

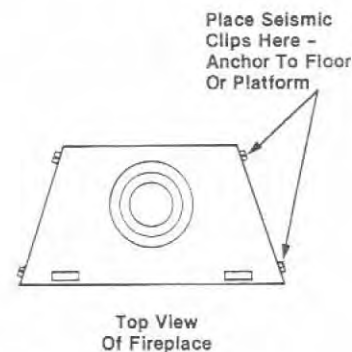


Figure 9



## STOVEPLACE SPECIFICATIONS

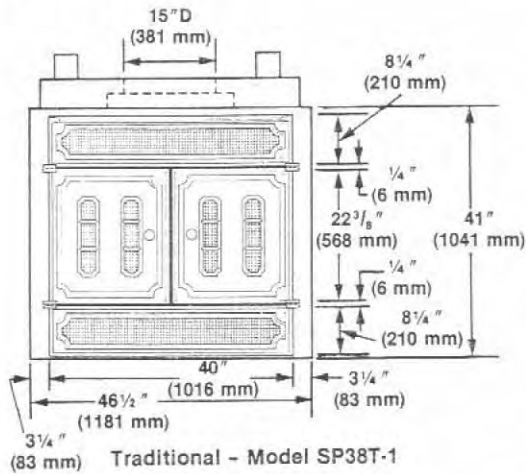


Figure 10

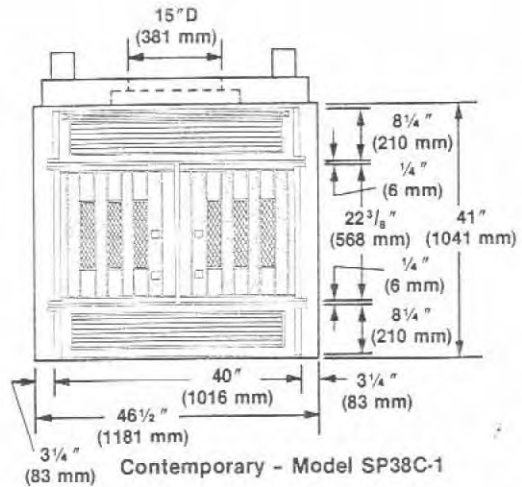


Figure 11

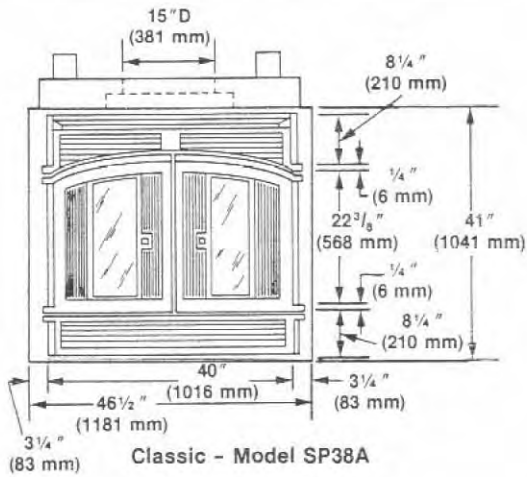


Figure 12

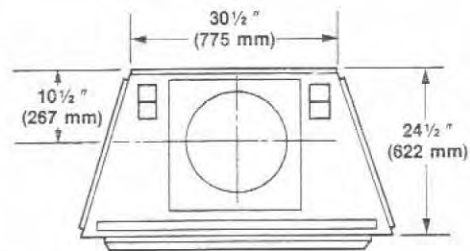


Figure 13

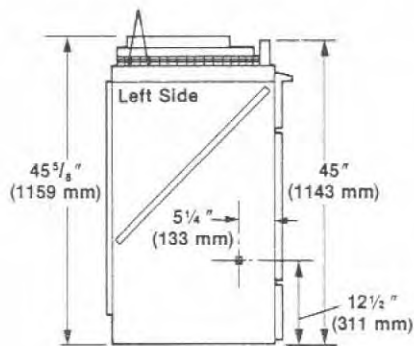


Figure 14

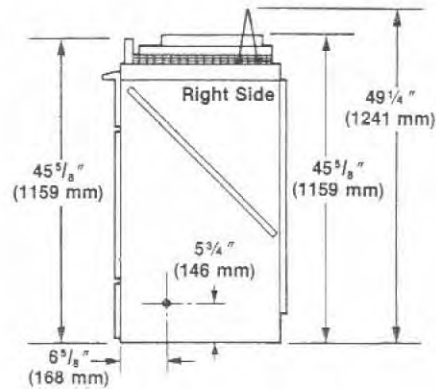
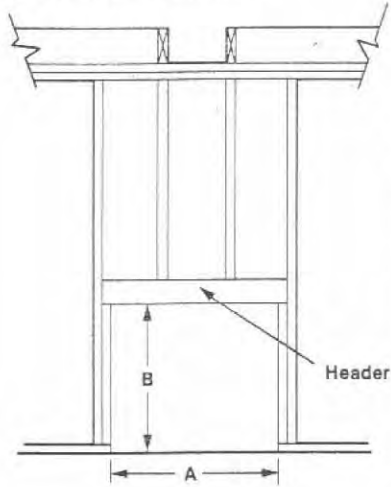


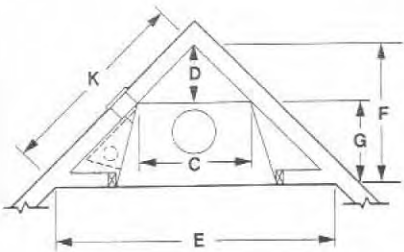
Figure 15

## FRAMING SPECIFICATIONS



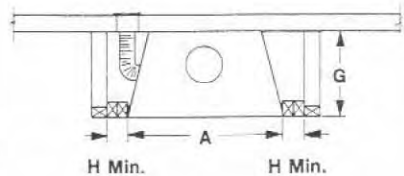
Fireplace Framing

Figure 16



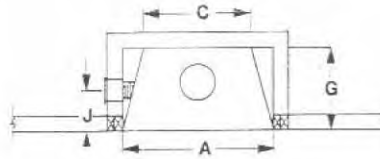
Corner Installation\*

Figure 17



Inside Chase\*

Figure 18



Outside Chase\*

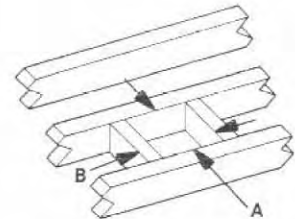
\*Shown With Optional Combustion Air Kit

Figure 19

## SP FRAMING DIMENSIONS

Installation	Models
	SP38T-1, SP38C-1, SP38A
A	46 <sup>5</sup> / <sub>2</sub> " (1184 mm)
B	49 <sup>1</sup> / <sub>4</sub> " (1251 mm)
C	30 <sup>1</sup> / <sub>2</sub> " (775 mm)
D	15 <sup>1</sup> / <sub>4</sub> " (387 mm)
E	79 <sup>1</sup> / <sub>2</sub> " (2019 mm)
F	39 <sup>3</sup> / <sub>4</sub> " (1010 mm)
G	24 <sup>1</sup> / <sub>2</sub> " (622 mm)
H Without *	3" (76 mm)
H With *	8" (203 mm)
J	5 <sup>1</sup> / <sub>4</sub> " (133 mm)
K	56 <sup>1</sup> / <sub>4</sub> " (1429 mm)

\*Combustion Air Kit  
CAK-4, CAK-6

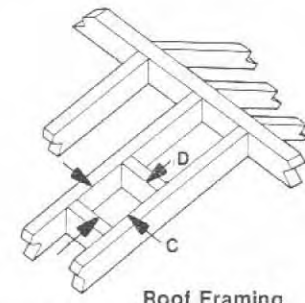


Ceiling Framing

Figure 20

## FRAMING DIMENSIONS FOR CEILING

Type Flue	Ceiling Opening	
	A	B
TF8, Vertical	14 <sup>1</sup> / <sub>2</sub> " (368 mm)	14 <sup>1</sup> / <sub>2</sub> " (368 mm)
TF10, Vertical	17" (432 mm)	17" (432 mm)
TF8, Offset 30°	14 <sup>1</sup> / <sub>2</sub> " (368 mm)	25" (635 mm)
TF10, Offset 30°	17" (432 mm)	26" (660 mm)



Roof Framing

Figure 21

## FRAMING DIMENSIONS FOR ROOF

Type Flue	Pitch	Roof Openings	
		C	D
TF8, Vertical	0/12	14 <sup>1</sup> / <sub>2</sub> " (368 mm)	14 <sup>1</sup> / <sub>2</sub> " (368 mm)
	6/12	14 <sup>1</sup> / <sub>2</sub> " (368 mm)	17" (432 mm)
	12/12	14 <sup>1</sup> / <sub>2</sub> " (368 mm)	21 <sup>1</sup> / <sub>2</sub> " (546 mm)
	60°	14 <sup>1</sup> / <sub>2</sub> " (368 mm)	30" (762 mm)
TF10, Vertical	0/12	17" (432 mm)	17" (432 mm)
	6/12	17" (432 mm)	19" (483 mm)
	12/12	17" (432 mm)	24" (610 mm)
	60°	17" (432 mm)	30" (762 mm)